



markilux New Products 2019

markilux

sicher zeitlos schön

markilux MX-3



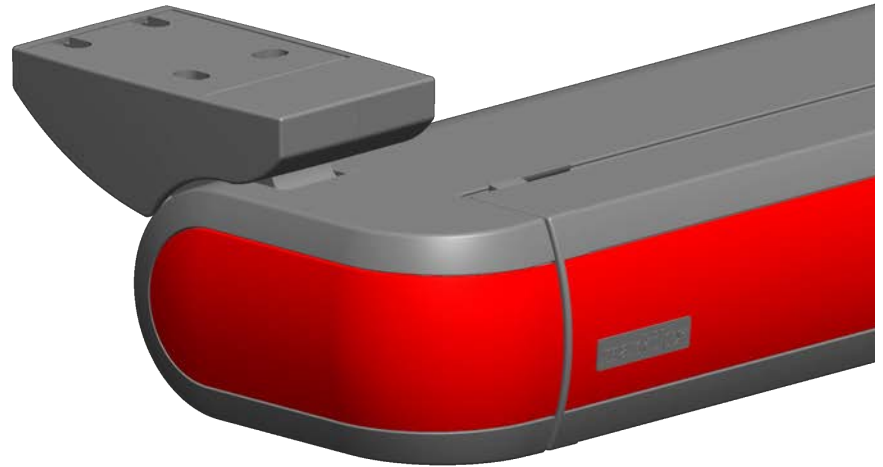
markilux MX-3



markilux MX-3

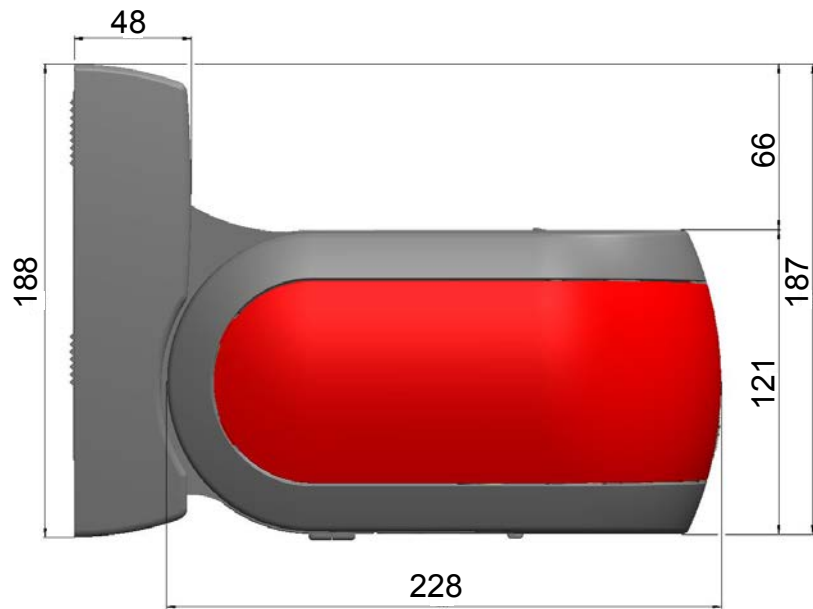


face fixture

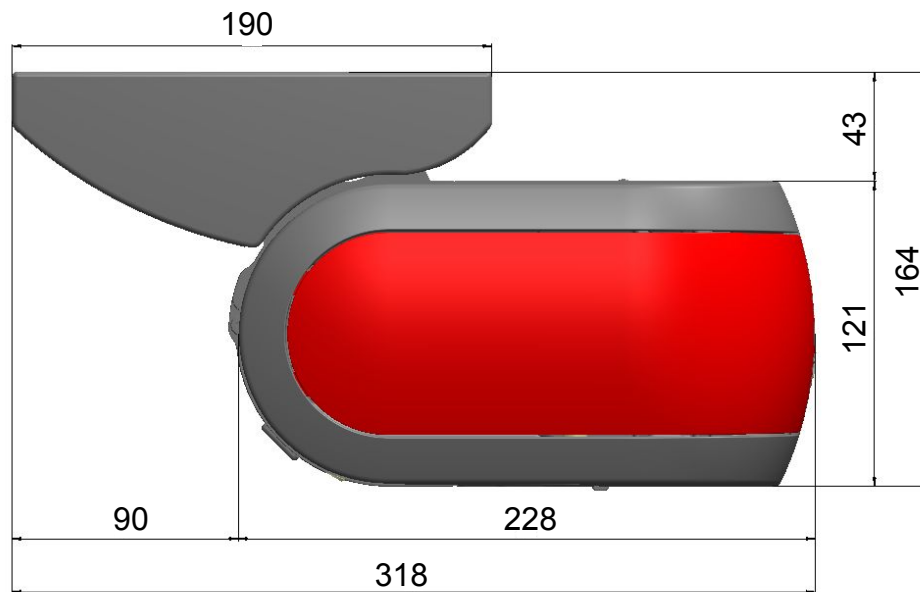


top fixture

markilux MX-3

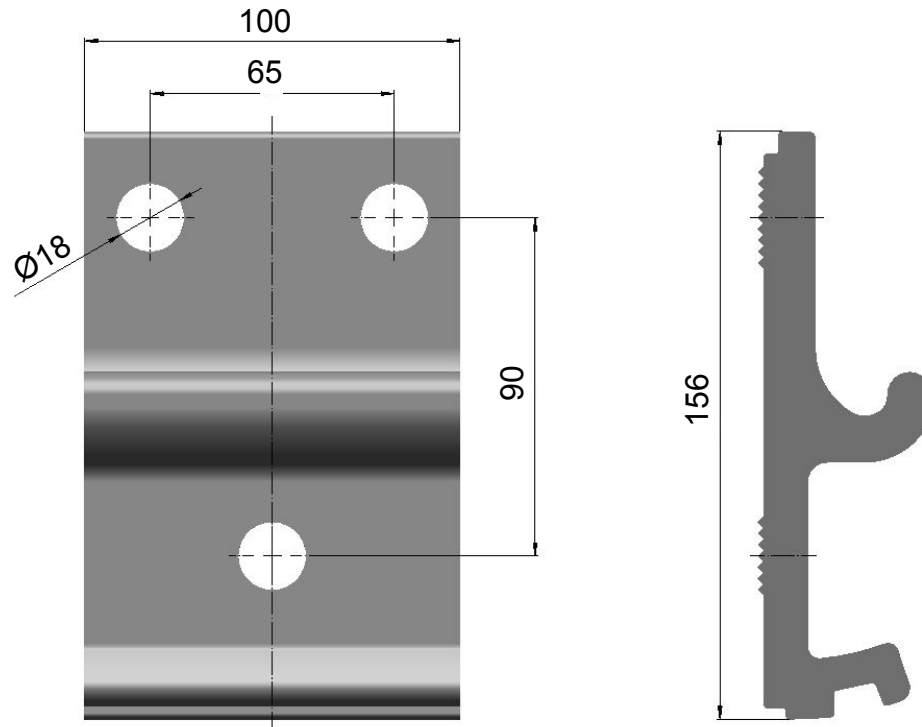


face fixture



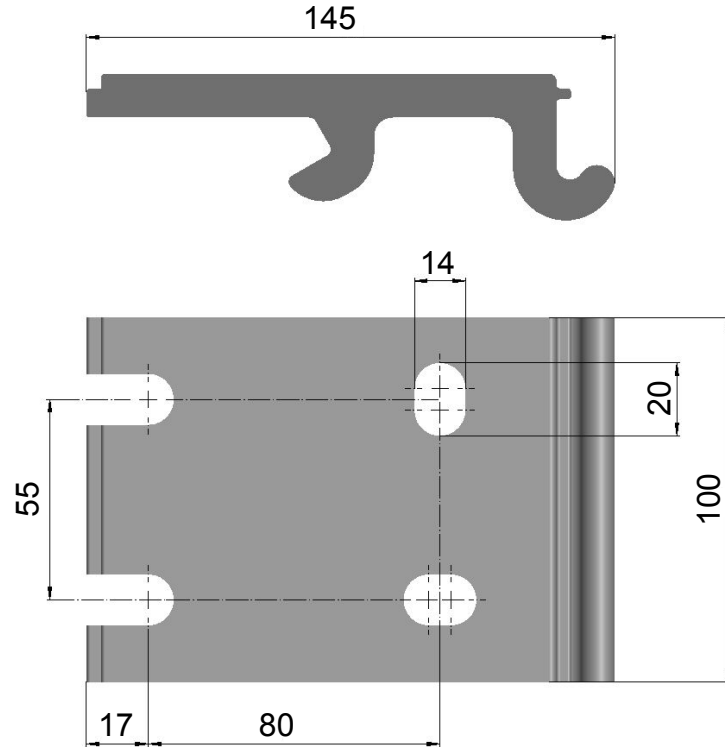
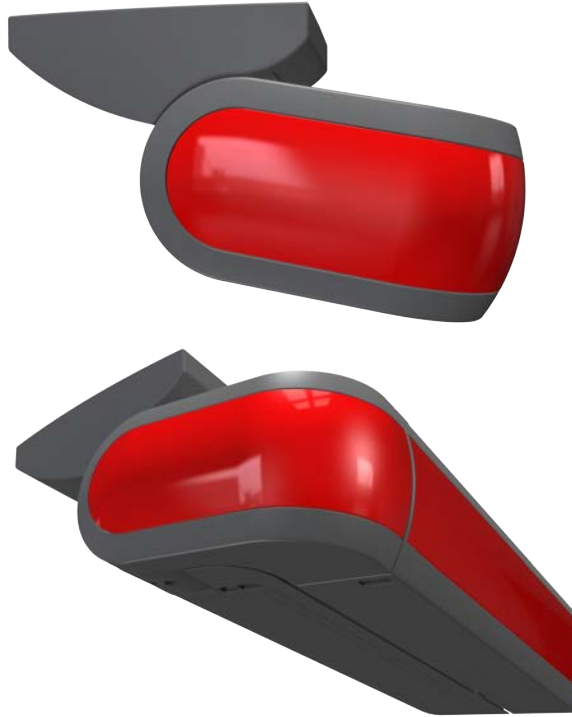
top fixture

markilux MX-3



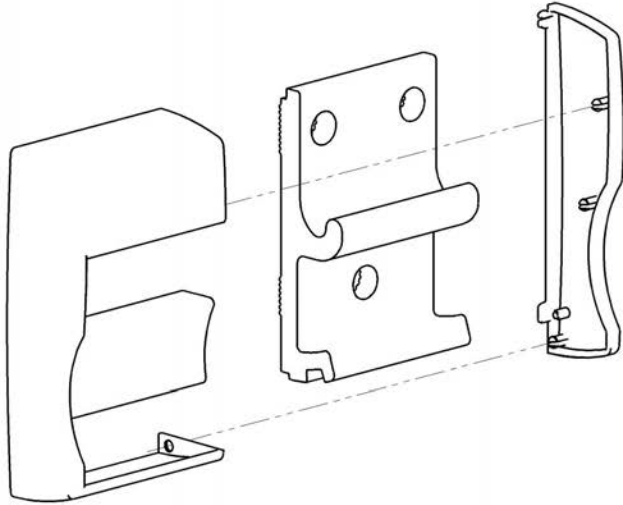
face fixture bracket

markilux MX-3

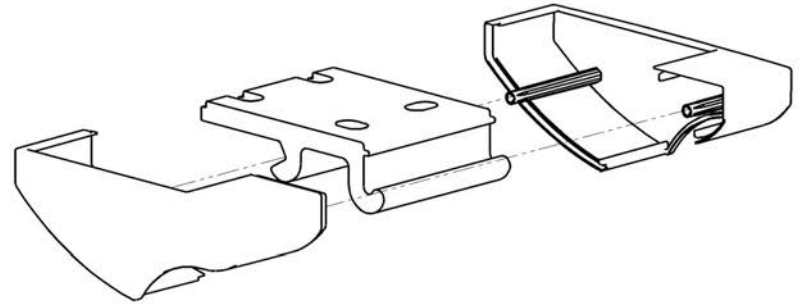


top fixture bracket

markilux MX-3



Cover caps face fixture bracket



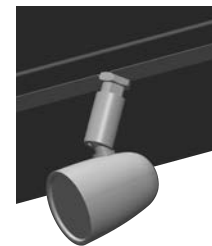
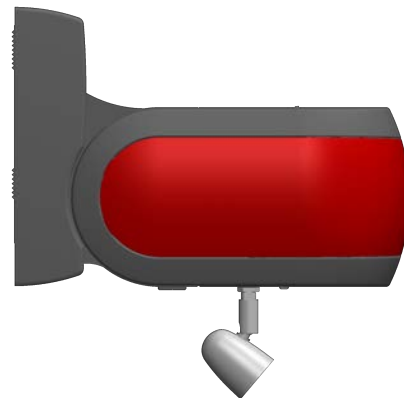
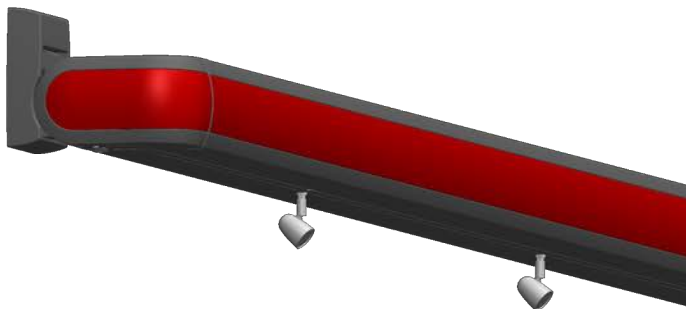
Cover caps top fixture bracket



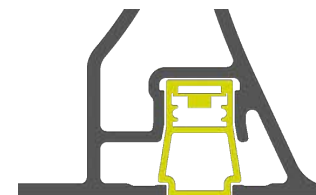
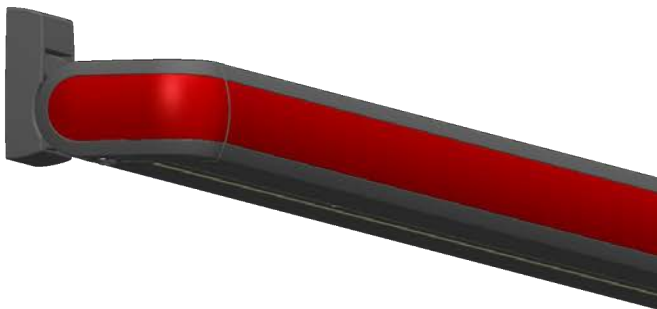
markilux MX-3

Lighting options

LED spots

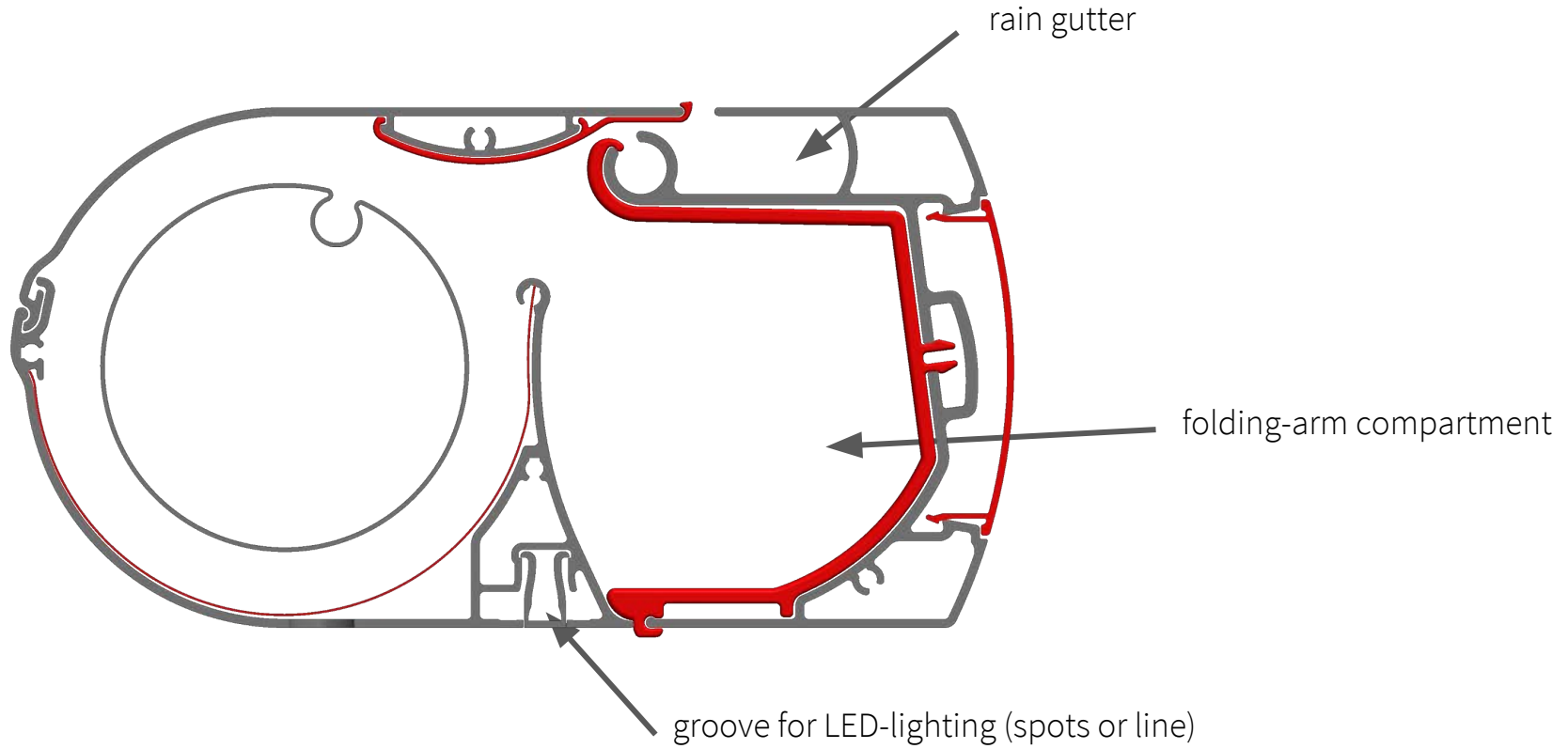


LED line



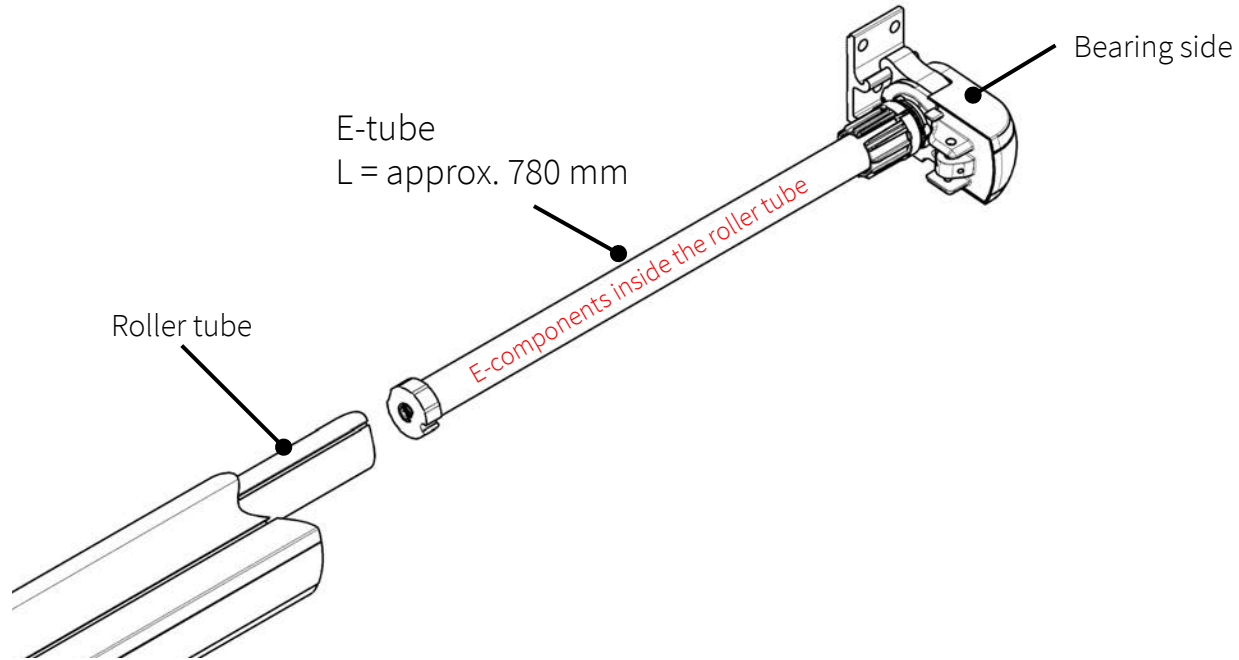
markilux
sicher zeitlos schön

markilux MX-3



markilux MX-3

Electrical components inside the roller tube

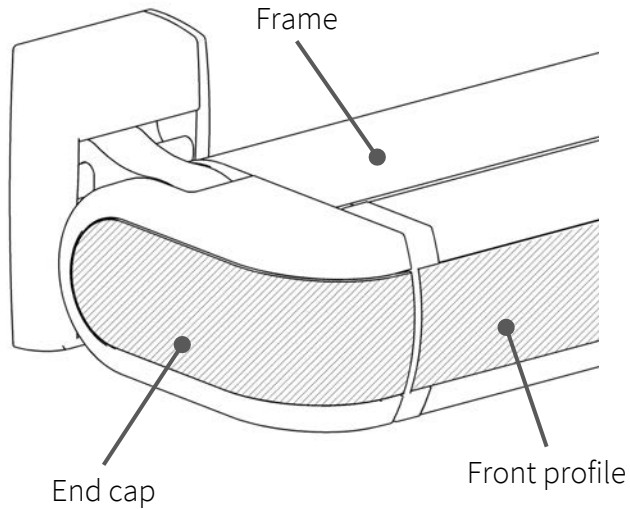


markilux MX-3









markilux MX-3

Frame, end cap and front profile colours



Frame colours

-  Traffic white RAL 9016
-  Metallic aluminium RAL 9006
-  Off-white textured finish 5233
-  Stone grey metallic 5215
-  Anthracite metallic 5204
-  Havana brown textured finish 5229

End cap and front profile colours

-  Yellow green RAL 6018
-  Sulfur yellow RAL 1016
-  Red orange RAL 2001
-  Traffic red RAL 3020
-  Purple violet RAL 4007
-  Oyster white RAL 1013
-  Pearl mouse grey RAL 7048
-  Agate grey RAL 7038



markilux MX-3

Dimensions in cm

		250	300	350	400	450	500	550	600
		183	251	301	351	401	451	501	551
		—	—	—	—	—	—	—	—
		250	300	350	400	450	500	550	600
H	150	1)							
	200	1)							
	250	—	1)						
	300	—	—	1)					
	350	—	—	—	1)			—	—

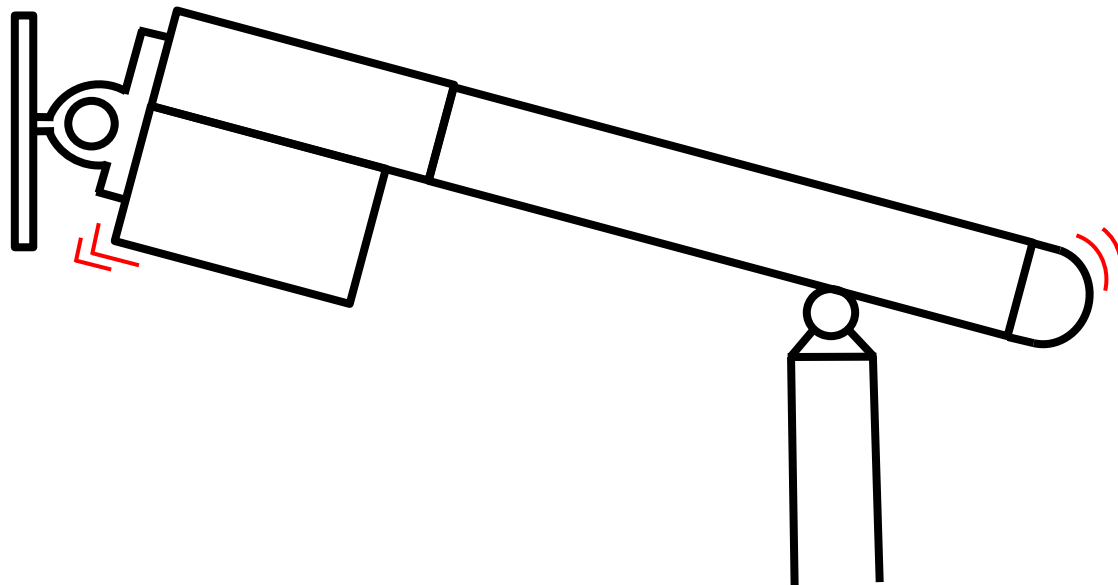
markilux MX-3



markilux MX-3

- compact, lightweight cassette awning
- end fixture awning with only two brackets
- arms with maintenance-free, high-tech bionic tendon
- optional coloured profiles (side cap & front profile)
- optional LED-line or LED spots in the cassette
- maximum dimensions
600 cm x 300 cm / 500 cm x 350 cm

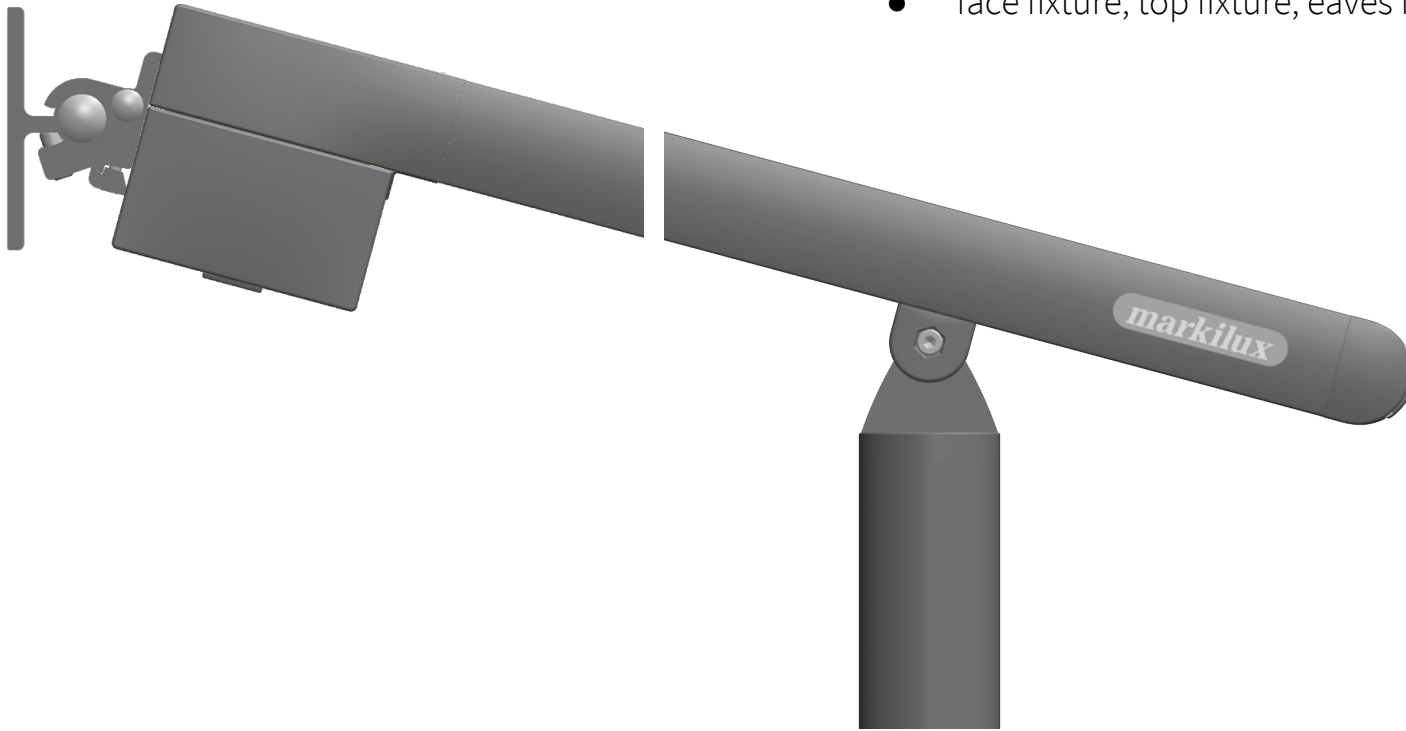
markilux pergola compact



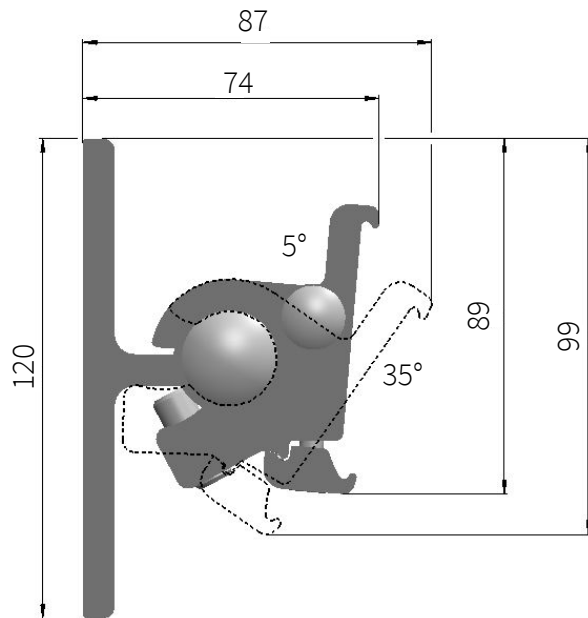
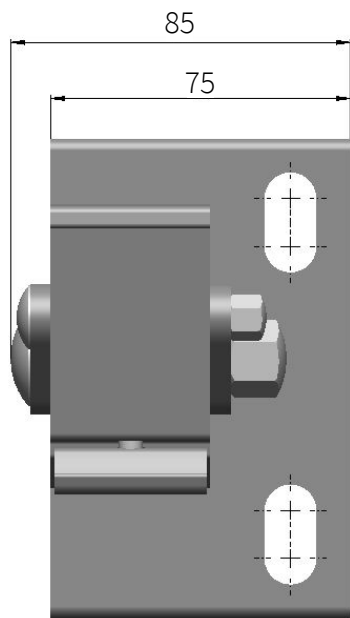


markilux pergola compact

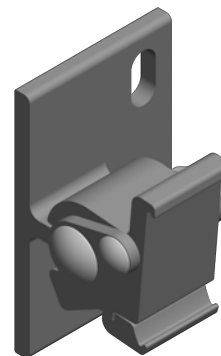
- based on the markilux 770 tracfix
- pitch from 5° - 35°
- face fixture, top fixture, eaves fixture



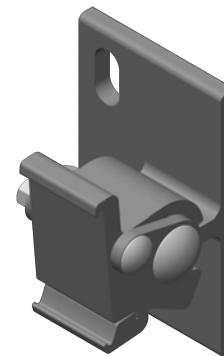
markilux pergola compact



bracket left

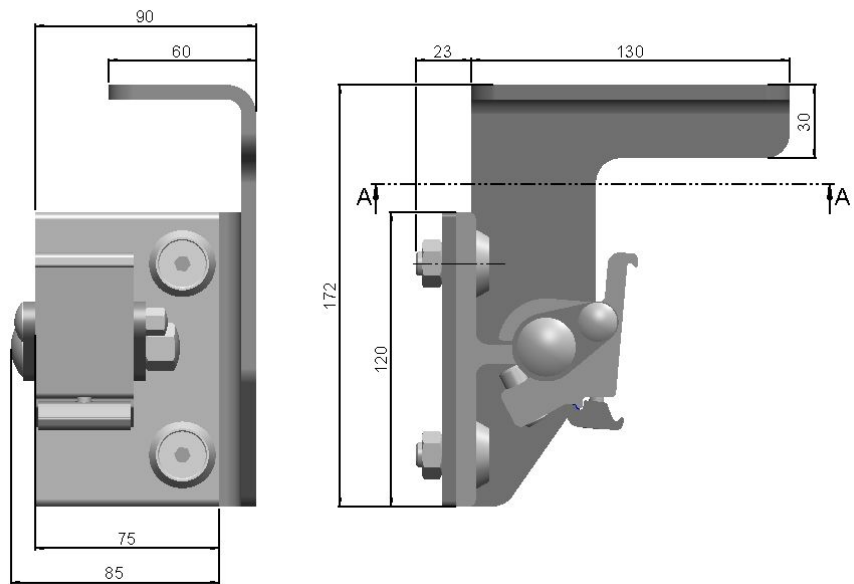


bracket right

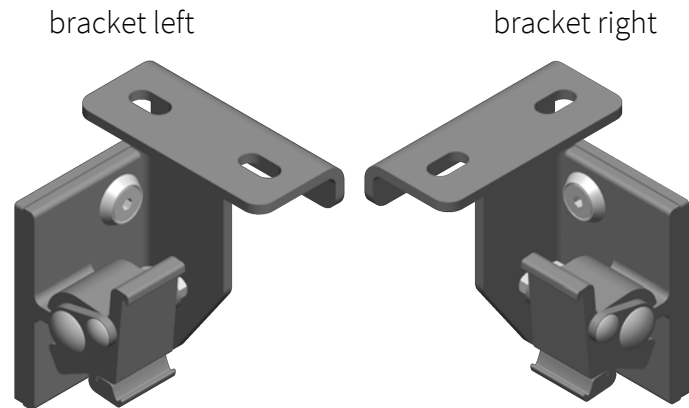


face fixture bracket

markilux pergola compact



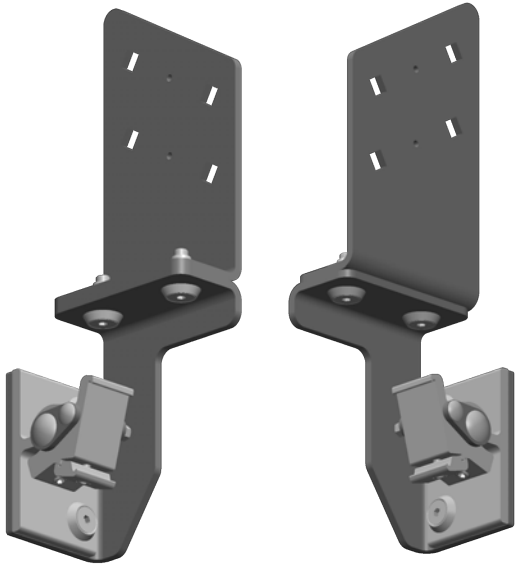
top fixture bracket



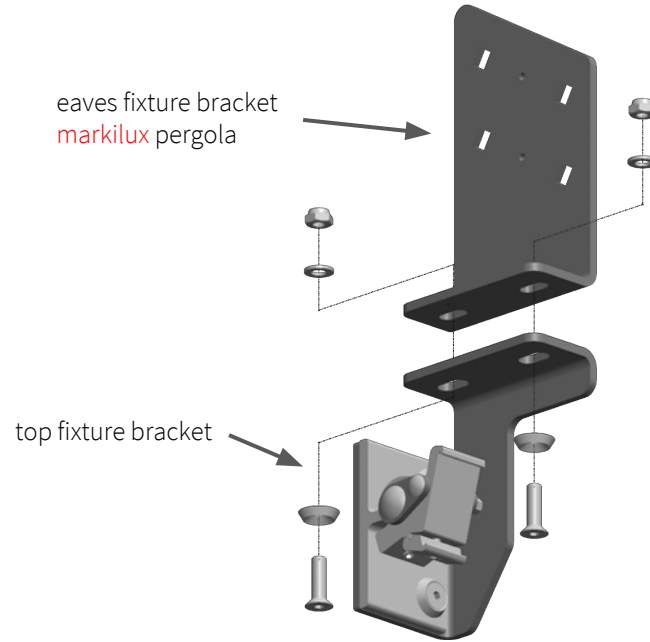
markilux pergola compact

bracket left

bracket right



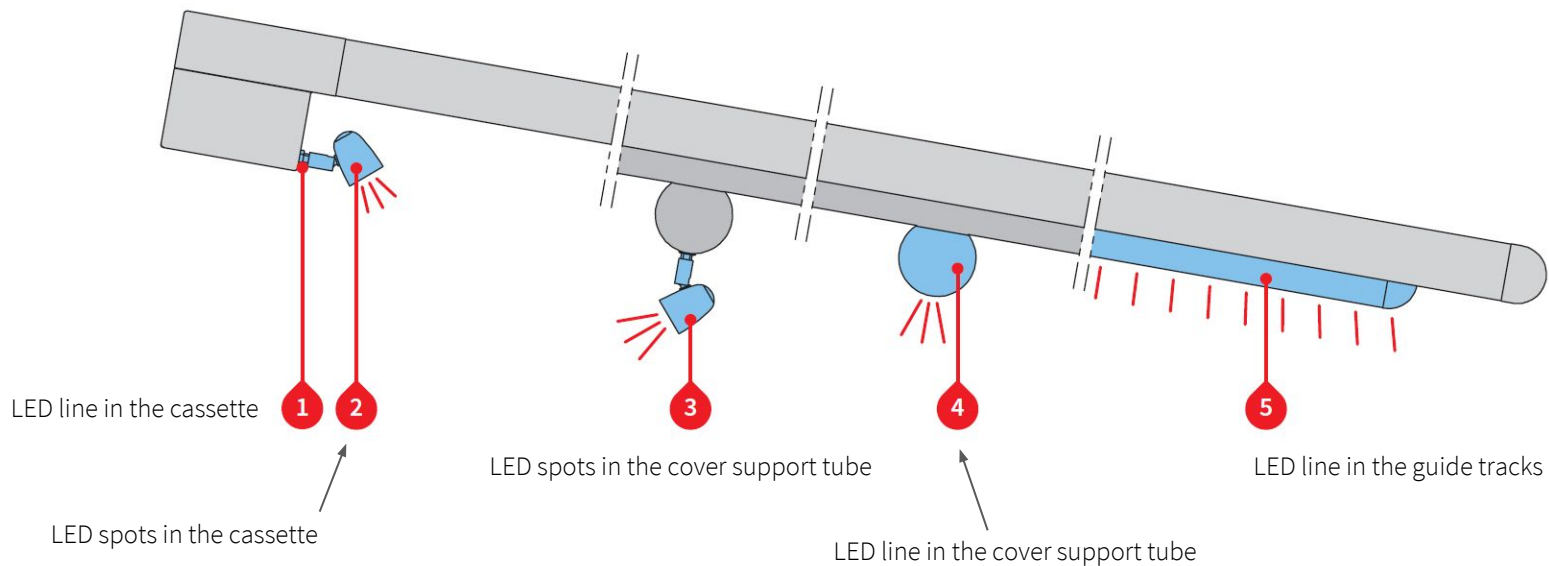
eaves fixture bracket





markilux pergola compact

Lighting options



markilux pergola compact

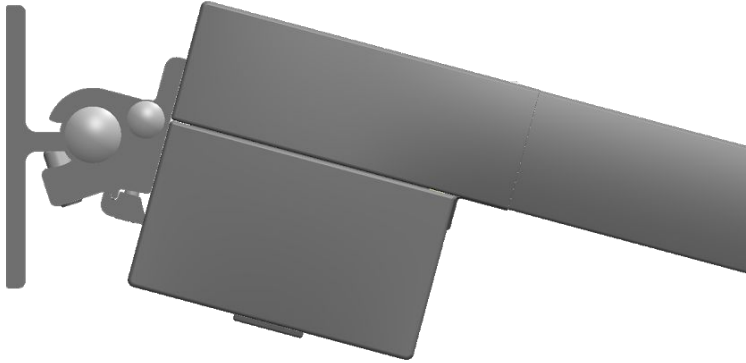
Dimensions in cm

	150	200	250	300	350	400	450
	72	151	201	251	301	351	401
	150	200	250	300	350	400	450
	+5,4	+5,4	+5,4	+5,4	+5,4	+5,4	+5,4



shadeplus not possible

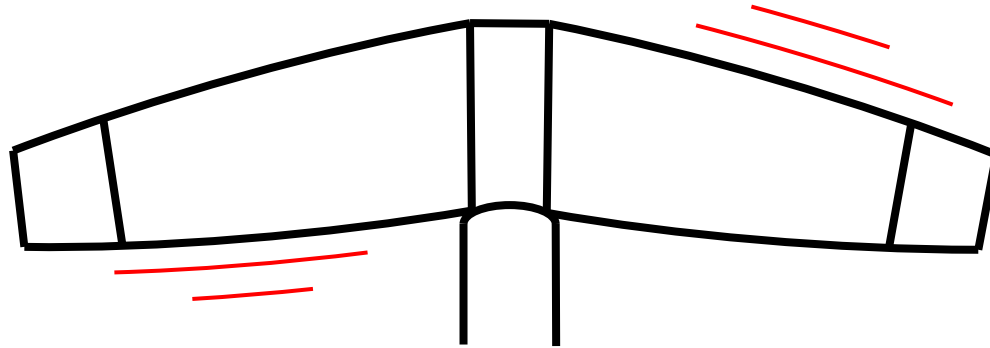
markilux pergola compact



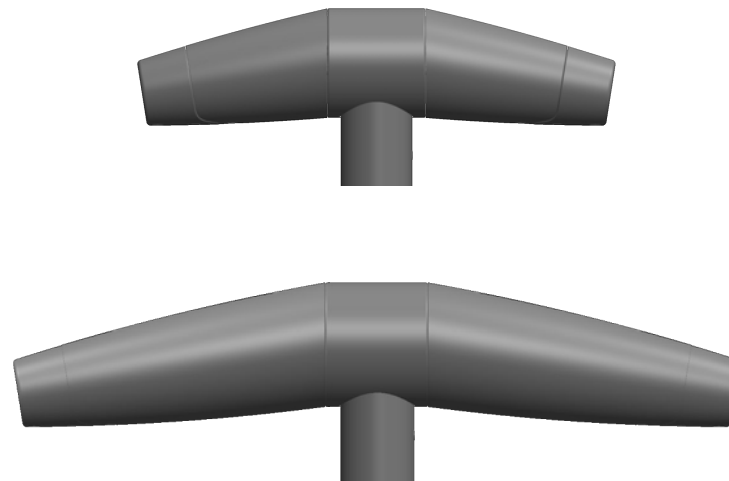
markilux pergola compact

- sun and weather protection for small to medium sized areas
- tracfix guidance and tensioning system for high wind stability
- optional telescopic post ensures water drainage at low pitches
- optional shadeplus drop valance (manual)
- optional lighting with LED spots or LED lines
- optional stabilisation boxes for flexible installation of the posts
- maximum coverage of up to 18 m²

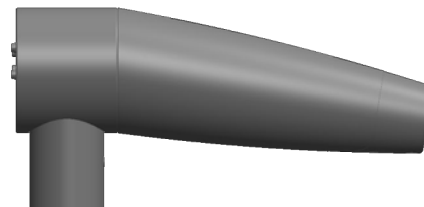
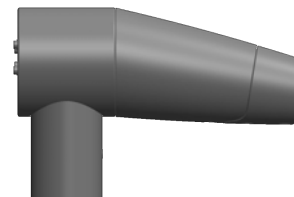
markilux syncra + MX-1 & MX-1 compact



markilux syncra + MX-1 & MX-1 compact



markilux syncra + MX-1 & MX-1 compact





markilux 970 new options

New ambient front panel colours



Anodized silver E1/C-0



Anodized bronze E1/C-32

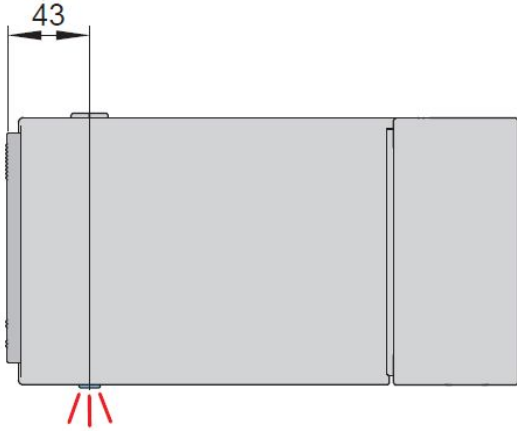


Anodized black E1/C-35

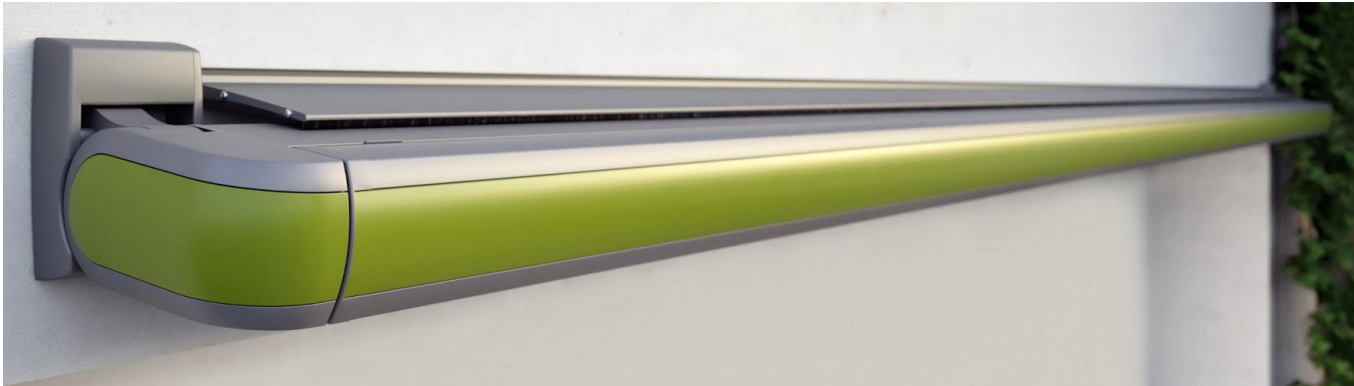
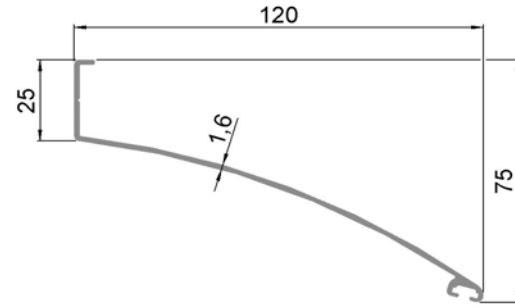
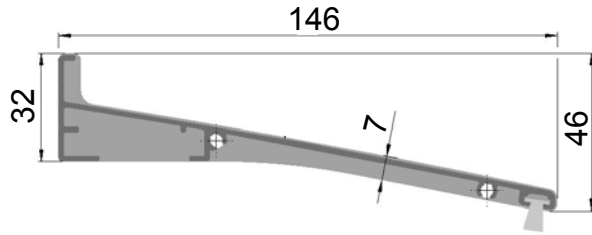


markilux 970 new options

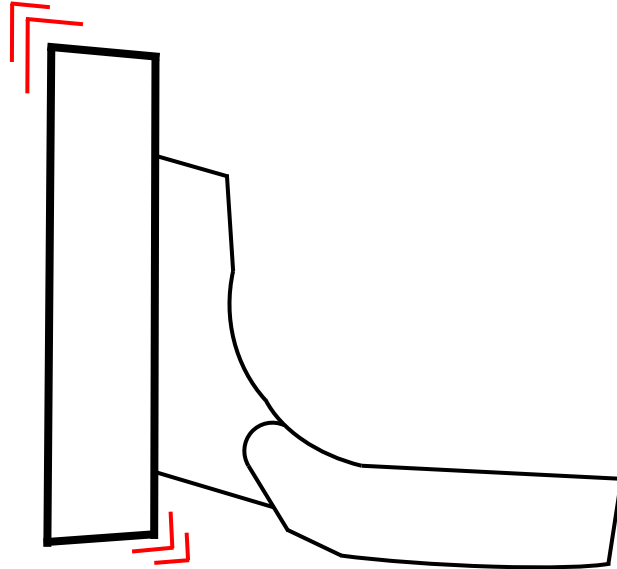
LED line in the cassette



New markilux wall sealing profile



markilux panel



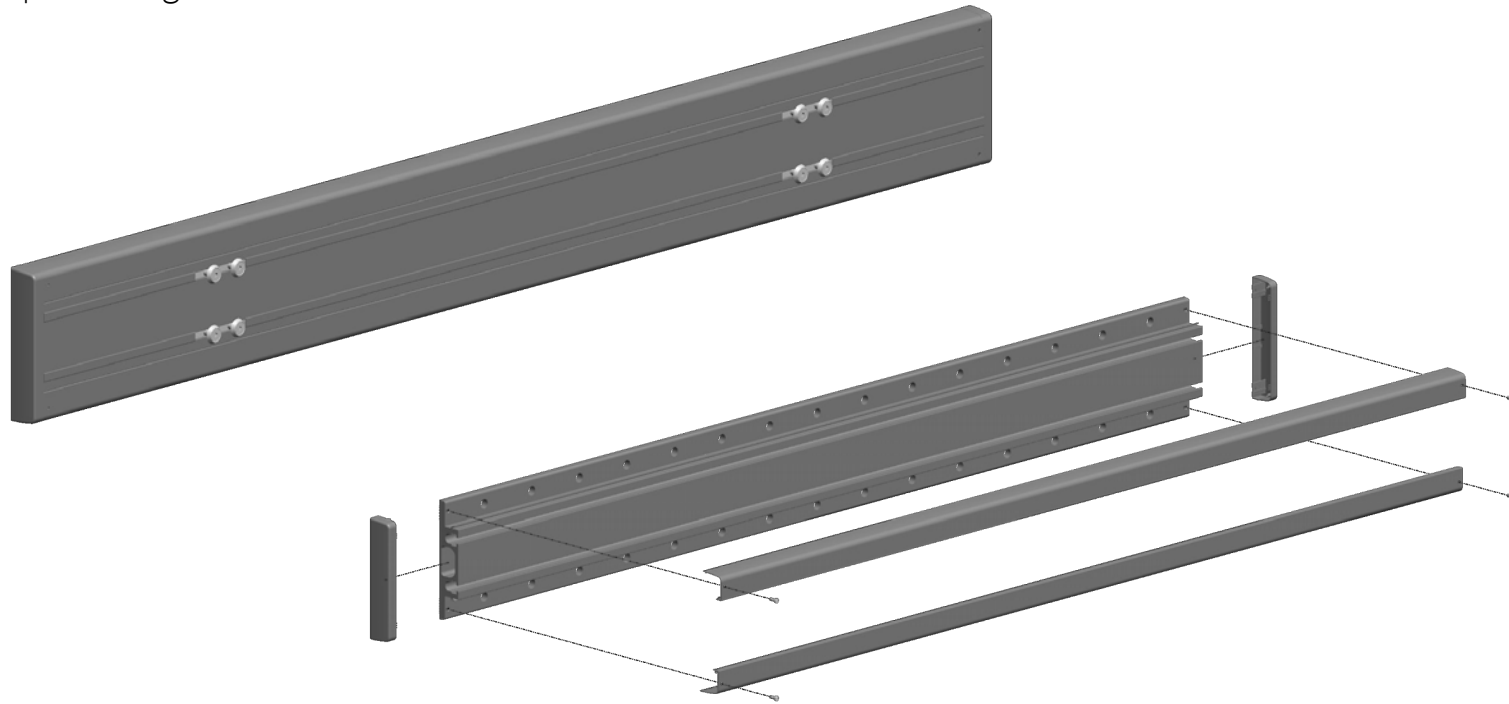
markilux panel

Fixture profile for folding-arm awnings



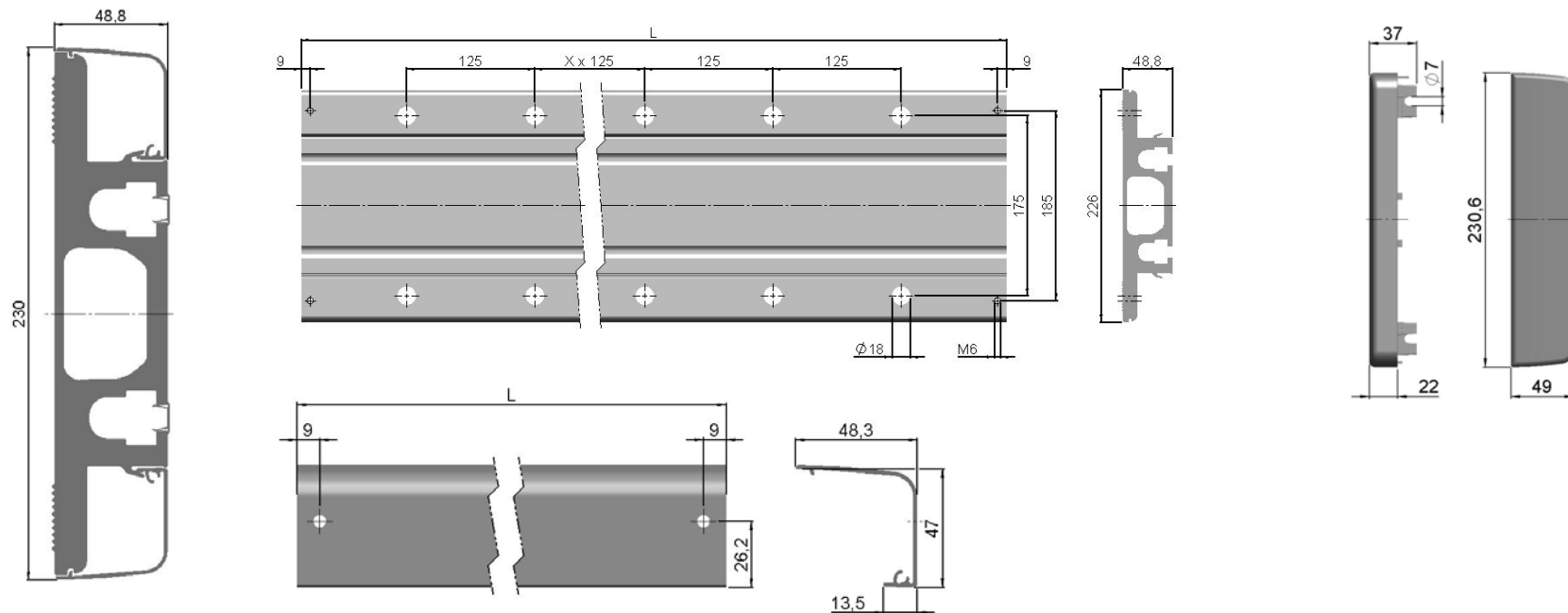
markilux panel

Up to a length of 700 cm



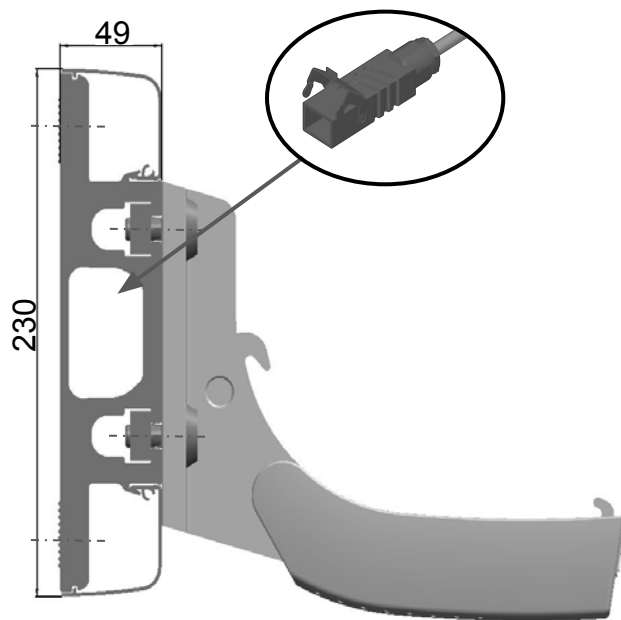
markilux panel

Manufactured individually as per mounting situation

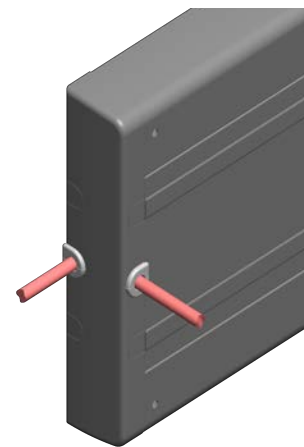
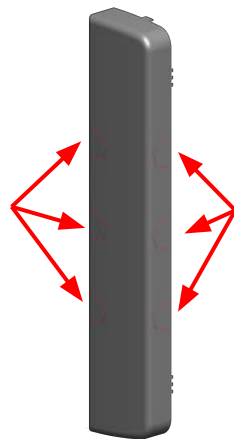


markilux panel

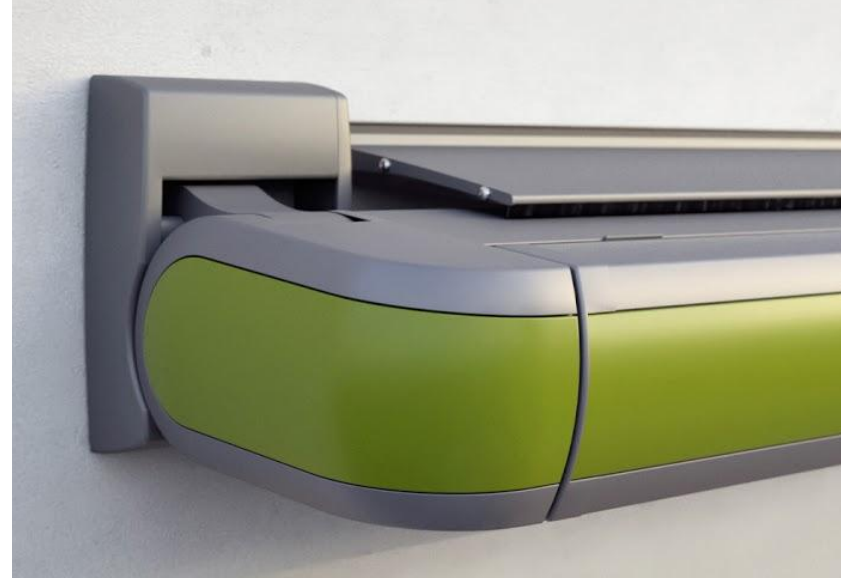
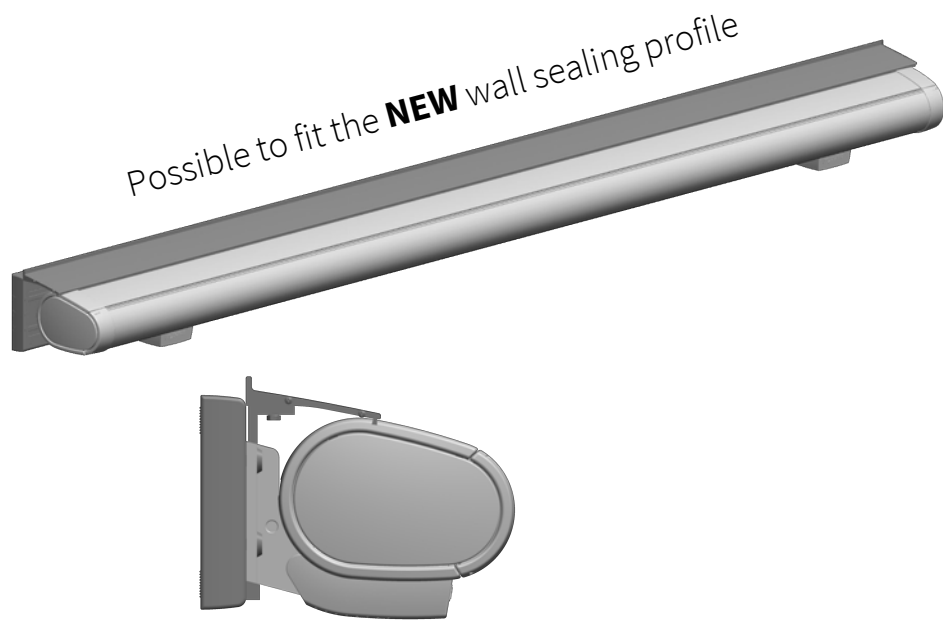
Compartment for Hirschmann-plug and accessories



6 cable exits



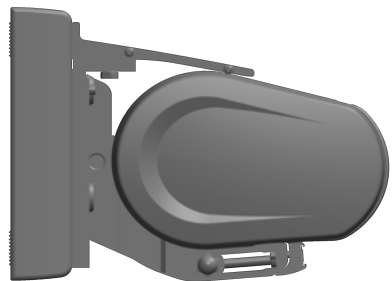
markilux panel



markilux panel

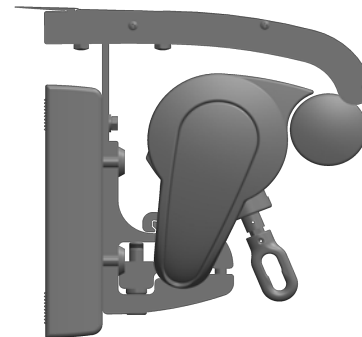
NEW - wall sealing profile:

markilux 990
6000
5010
3300
MX-3

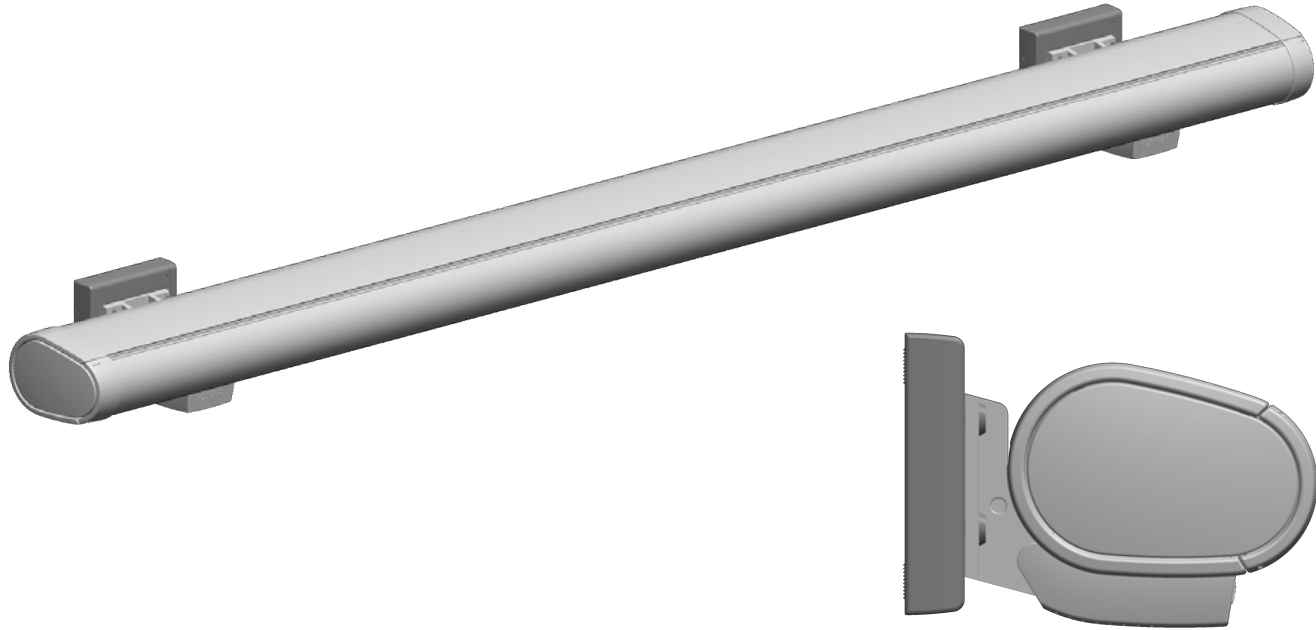


OLD - wall sealing profile:

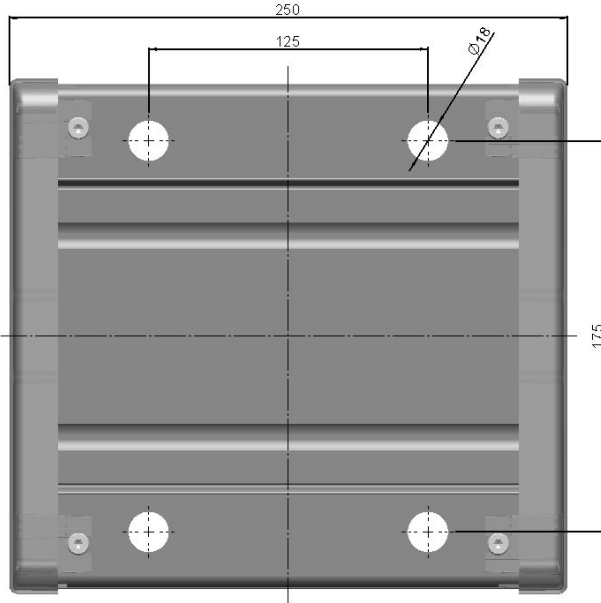
markilux 930
1300
1710
1600



markilux panel 250 mm



markilux panel 250 mm



Fixture brackets

Face fixture bracket
4 fixture points

Face fixture bracket with spreader plate A
8 fixture points

Face fixture bracket with spreader plate B
4 fixture points

Face fixture with markilux panel 250 mm
4 fixture points

Pull-out force [N]

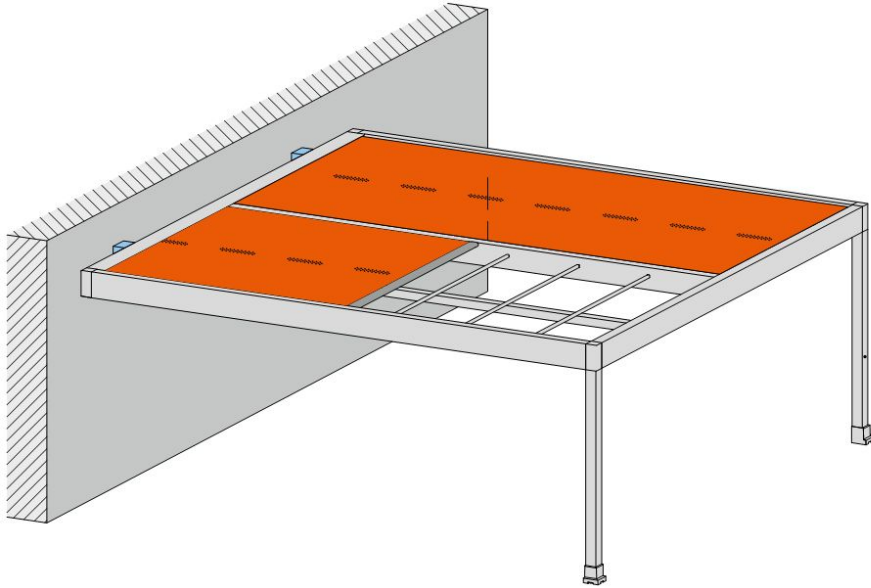
5449

3119

1846

3596

markilux markant wall fixture



markilux transolair - new patterns



+ 14 new modern patterns

markilux
sicher zeitlos schön

Availability of the novelties

- | | |
|---|-------------------------------|
| - markilux MX-3 | From now on |
| - markilux pergola compact | February 2019 |
| - markilux syncra + MX-1 & MX-1 compact | February 2019 |
| - markilux 970 (new front panels) | February 2019 |
| - markilux 970 (LED line in the cassette) | From now on |
| - new wall sealing profile | February 2019 |
| - markilux panel | Release date will soon follow |
| - markilux markant (wall fixture option) | From now on |
| - new transolair fabrics | From now on |



14 new modern patterns