



Awning System

markilux pergola stretch | 2021

The Sun and Wet Weather Awning.

01

Contents	Page
Product characteristics	4
Frame colours	7
Dimensions and configuration options	8
Lighting and heating options	9
Lightning options	10
LED Line in the cover support profiles.	10
LED Line on both sides of the cross-beam	11
LED Spots on both sides of the cross-beam	12
markilux infrared heater 2500 W	13
Infrared heaters attached to the cross-beam – options	14
Overview of dimensions / Bracket fixture range.	17
Overview of dimensions – fixture brackets	22
Support post positions / Support post dimensions	31
Overview of dimensions – foundations / Water drainage options	34
Overview of dimensions – multi-field units / Junction point	36
Fitting a wind sensor io / Cable exit points	37
In combination with the markilux 625 tracfix / 776 tracfix / format.	38

2021-02-17

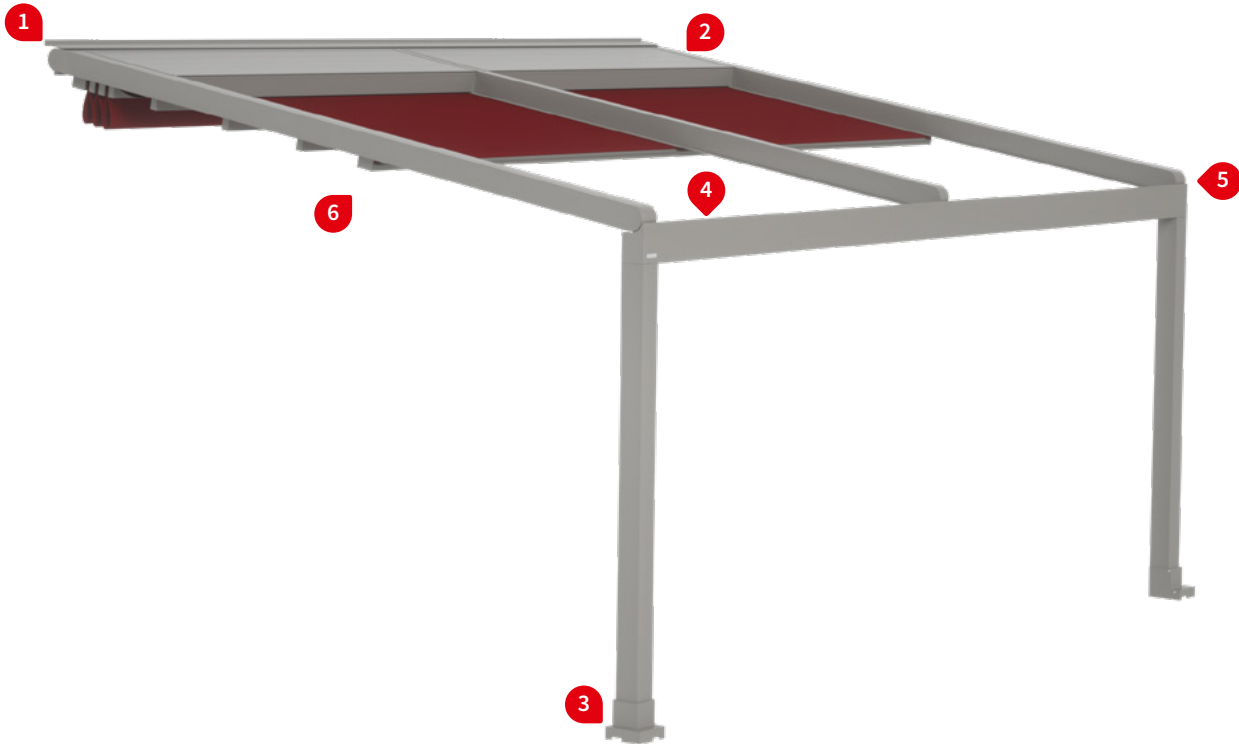
markilux GmbH + Co. KG
 Hansestrasse 53 | 48282 Emsdetten
 Telephone +49 (0) 25 72 / 15 31-0
 Fax +49 (0) 25 72 / 15 31-6 82
 info@markilux.com

WEEE registration no. DE 11340537

We reserve the right to make technical alterations without giving prior notice. All the dimensions quoted are close approximations. Up-to-date technical information can be found in the restricted area of the website at pro.markilux.com.

01 Product Characteristics

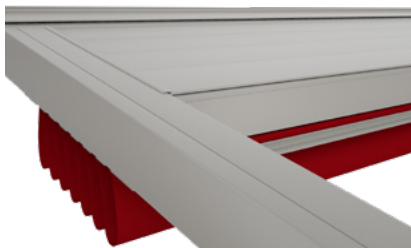
Wind resistance class 3
Beaufort 6 → 38–48 km/h → 10.5–13.4 m/s → 25–31 mph



1 Face fixture including wall sealing profile



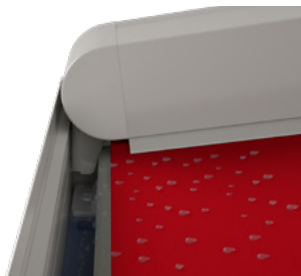
2 Coverboard



3 Post with footplate cover



4 Controlled water drainage via front gutter



5 Connection between the guide track and the support post



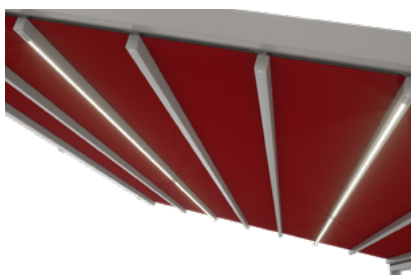
6 In combination with the markilux format triangular version ¹⁾



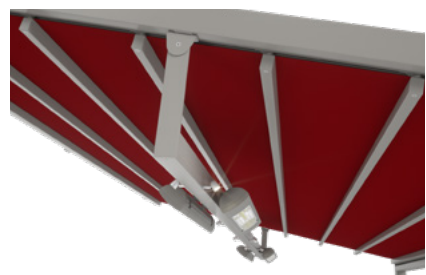
6 In combination with the vertical roller blind markilux 776 tracfix with Panorama window ¹⁾



6 LED-Line in the cover support profiles ¹⁾



6 Heaters and LED-Spots attached to the the cross-beam ¹⁾



1) Optional Accessories

Product Characteristics

Description

- Awning system with unassuming appearance, used for both sun and wet weather protection in which the folded cover is tensioned above track-guided support profiles making it extremely wind resistant and stable.
- The guide tracks are attached to a front profile which acts as a gutter and which rest on support posts which have an integrated water drainage system. The rainwater is directed over the awning cover to the gutter and then via the support posts to the ground.
- It includes a system coverboard as standard, the depth of which is determined by the awning's extension.
- Areas up to 7 x 7 m can be protected using one cover or 25 x 7 m using 5 covers.

Special features

- Well thought-through, elegantly uncomplicated design lending optimum protection against sun, wind and rain even in very inclement weather - controlled, reliable water drainage from a pitch angle of just 5°
- Horizontally aligned cover support profiles ensure exceptionally high areal stability
- The cover is made up using all but invisible transverse seams - lending the cover an overall harmonious appearance
- The awning cover is made of plain, waterproof (for purpose), UV-resistant and highly flame-retardant PVC or sunvas perla FR
- Radio-controlled motor in io technology as standard
- In a multi-field unit, the fields can be controlled individually as standard
- The system coverboard is fitted as standard to protect the cover when retracted – against rain and soiling; the number of profile sections is determined by the extension of the awning
- Wall sealing profile as standard accessory – avoids leaving a gap between the wall and the coverboard
- Option of lighting strips, LED-Line, available in the cover support profiles, their number and distribution are determined in the factory according to the awning extension; each field can be operated independently
- Option of a cross-beam with integrated cable channel, which can be adjusted so that it is square to the guide tracks; its position can be chosen by the customer
- Option of lighting strip, LED-Line, or adjustable LED-Spot lighting on both sides of the cross-beam, each field can be operated independently – allowing a pleasant lighting atmosphere to be created even after the awning has been retracted
- Option of heaters fitted to the cross-beam, individually or in pairs (maximum 3 x 2 heaters), each field can be operated independently
- Can be combined perfectly with the vertical roller blinds markilux 625 tracfix / 776 tracfix* fitted between the support posts and / or to the side(s) between post and wall, with the markilux format slide* or lift* between the posts and / or markilux format triangular version to the side(s) – giving ideal protection in the vertical plane as well (*optionally with Panorama window)
- New, extremely reliable and functional toothed belt drive system - easy to fit and retensionable
- Well thought-through factory-fitted guide tracks including tensioning system as well as - if optionally equipped with lighting and / or heating - invisible "plug-and-play" wiring loom connections in the housing and the cable channels - making installation on site safe and simple
- If required, the posts can be positioned further in or out from the guide tracks - even asymmetrically, if necessary. Depending on post position, the gutter is extended as far as the posts have been moved out; if the posts are positioned further in, it is as wide as the overall width of the awning

Dimensions

- 1 field, 1 motor: width 201–700 cm, maximum extension 700 cm, maximum overall dimensions 700 x 700 cm
- A maximum of 5 fields wide with a maximum field width of 7 m and a maximum overall width of 25 m; an asymmetrical field with distribution is possible
- In the case of field widths from 451 cm, a third guide track will be added as standard in the centre; in certain situations and on request, additional guide tracks can be added
- The headroom at the front is 250 cm as standard; the maximum headroom is 322 cm

Awning profiles

- Extruded aluminium, in façade quality, powder coated
- The housing is in three pieces, round at the back, depth 163 mm x height 125 mm, including a louvre on the

01 Product Characteristics

- underside to facilitate maintenance
- The side end caps are made of die-cast aluminium, powder coated

Awning profiles

- System coverboard, depth 42–105 cm, determined in the factory according to the awning extension, consisting of 3–5 profile sections each 21 cm wide, fitted as a flat surface between the guide tracks
- The guide tracks are angular, width 90 mm × height 125 mm – as outer tracks with an additional lateral profile functioning as cable channel (standard, overall dimensions 125 × 125 mm)
- Cover support profiles 100 × 60 mm at the rear and the front, including sealing strip (UV-resistant silicone, colour RAL 7043) as joint to the housing and as a drip edge at the front
- Cover support profiles 45 × 60 mm, with slot for optional LED lighting strip, LED-Line
- Optional cross-beam for accessories, width 80 mm × height 100 mm, with multi-functional slots; up to two pieces per field, arranged symmetrically or asymmetrically on request – for the fixture of heaters and LED-Lines or LED-Spots
- Sealing strips (UV-resistant silicone, colour RAL 7043) at the joints between the guide tracks / coverboard, guide tracks / cover, coverboard profiles / housing and in the case of multi-field units: guide track / guide track

Fixture brackets, support posts and gutter

- Extruded aluminium, in façade quality, powder coated
- Housing brackets:
 - Face fixture, (also in combination with spreader plates A / B), face fixture with stand-off brackets, top fixture, eaves fixture
- Pitch range 5°–25°
- Including decorative caps to cover the brackets – for face fixture, made of die-cast aluminium, powder coated; for top and eaves fixture brackets made of high-quality plastic, powder coated
- Square post profile 125 × 125 mm with integrated cable ducts, very easily accessible
- The support post can be adjusted in height by up to 120 mm
- Asymmetrical footplate covers as standard 201 × 201 mm made of die-cast aluminium, powder coated
- Optionally without footplate covers for installation below the ground
- Optionally with adapter plates for installation on Krinner screw-in foundations
- Angular gutter, depth 125 mm × height 196 mm
- Water drains away to the side through the footplate cover, optionally below ground or laterally out of the post

Use in wind, rain and snow

- The awning or awnings have to be retracted if the wind speed exceeds 48 km/h. In gusty conditions, rainwater can creep under the lateral sealing strips along the guide tracks and miss the gutter. The awning system must be retracted in gusty wind conditions
- The awning can be used in rain up to performance class 2 (56l/m² per hour) according to EN 13561. This value assumes even rainfall over the hourly period. In the case of heavy rainfall, the system must be retracted
- When the awning is partly or completely retracted, water can collect in the folds in the fabric and run away to the sides.
- If the temperature changes rapidly or if the humidity is very high, water can condense on the underside of the fabric and drip off.
- Bei Schneefall ist das Markisensystem einzufahren. Any snow on the cover or coverboard must be removed. The maximum permissible snow load on the canopy is 1100 N/m².

Note: For installation, we recommend the use of three electrical lifts, e.g. "Portable Awning Lift Upter CM 340". Load capability 120 kg / Extension height 3.3 m from KeM.Tech, www.kemtech-ksf.com For additional information and accessories, please refer to the chapter "General Information", "markilux Special Accessories" as well as the markilux 625 tracfix / 776 tracfix in the Sales Manual "Designer Blinds and Awnings for Windows | Glass Roof Awnings".

Frame colours

traffic white, RAL 9016



metallic aluminium, RAL 9006



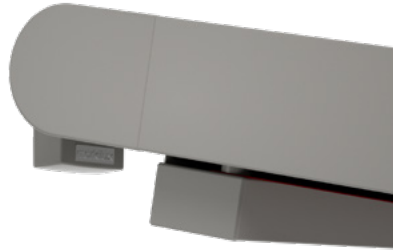
grey brown, similar to RAL 8019



off-white textured finish, 5233 ¹⁾



stone grey metallic, 5215 ¹⁾



anthracite metallic, 5204 ¹⁾



Havana brown textured finish, 5229 ¹⁾



Non-standard powder-coated finish

Bespoke frame colours incur a surcharge – matt, metallic, finely textured and pearl finishes as well as other colour ranges (DB, Tiger etc.) on request. All frame colours are available at a surcharge with enhanced corrosion protection.

Colours may differ slightly from those depicted in both hue and finish.

1) textured finish

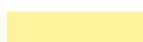

01 Dimensions and configuration options

Single unit

		Overall awning width							
		350	400	450	500	550	600	650	700
Order dimensions		201	351	401	451	501	551	601	651
		350	400	450	500	550	600	650	700
H	257-312								
	313-367								
	367-423								
	424-479								
	480-534								
	535-590								
	591-646								
	647-700								

dimensions in cm

H = *order dimension* = extension
 standard headroom 250 cm
 maximum headroom 322 cm

 = 2 guide tracks
 = 3 guide tracks

Operation	Standard	Optional
Crank handle	—	—
Hard-wired motor	—	—
silentec Motor (optionally with external radio receiver io / RTS)	—	—
Radio-controlled motor io, 868MHz	✓	—
Radio-controlled motor RTS, 433MHz	—	—

Multi-field unit
2-5 fields, 1 motor per field
Maximum overall width 25 m

Solar protection fabrics	Fabric pattern no.	Standard	Optional
sunvas	301.. / 309..-315..	—	—
sunsilk	324.. / 325.. / 328.. / 369..	—	—
smart art	340..	—	—
perla FR ¹⁾	371.. / 372..	✓	—
perfortex	331.. / 332..	—	—
transolair	338.. / 339..	—	—
vuscreen Alu	317..	—	—
Soltis Perform 92	92-20..	—	—
glass fibre screen	272..	—	—
Soltis Proof 502		✓	—

Optional accessories
LED-Line in the cover support profiles
Cross-beam under the guide tracks
Infrared heater 2500 W with integrated radio receiver 868 MHz io attached to the cross-beam, individually or in pairs
LED-Line in the cross-beam, on both sides ¹⁾
LED-Spots attached to the cross-beam, on both sides ¹⁾
Vertical cassette roller blind markilux 625 tracfix
Vertical cassette roller blind markilux 776 tracfix
Wind and privacy screen markilux format
Automatic weather controls (wind)

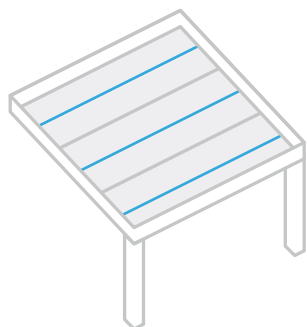
For detailed information, please refer to the section "General Information", "markilux Special Accessories" as well as those on the markilux 625 tracfix / 776 tracfix in the sales manual "Designer Awnings for Windows | Glass Roof Awnings".

1) LED-Line and LED-Spots cannot be combined with one another

1) plain fabrics only

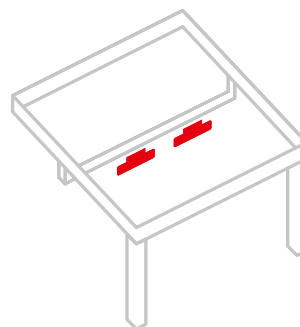
Lighting and infrared heater options

Overview of the different versions



Option 1:

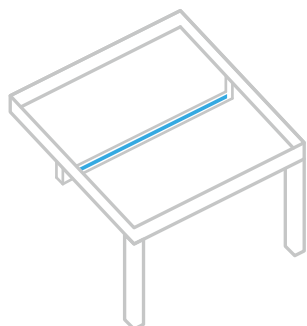
LED-Line in the cover support profiles



Option 5:

2 heaters underneath the cross-beam

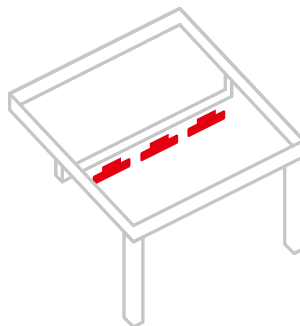
from an awning width of 301 cm



Option 2:

LED-Line on both sides of the cross-beam

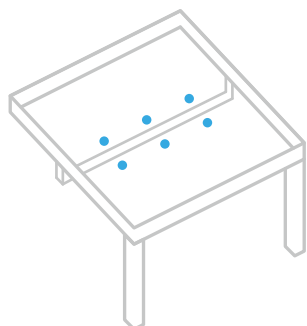
cannot be combined with option 3



Option 6:

3 heaters under the cross-beam

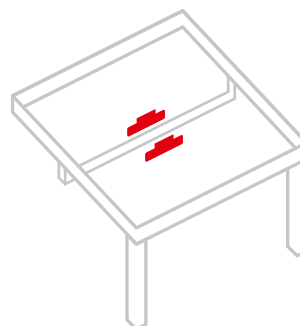
from an awning width of 501 cm



Option 3:

LED-Spots on both sides of the cross-beam

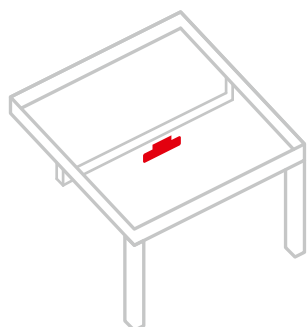
cannot be combined with option 2



Option 7:

2 heaters attached to the side of the cross-beam

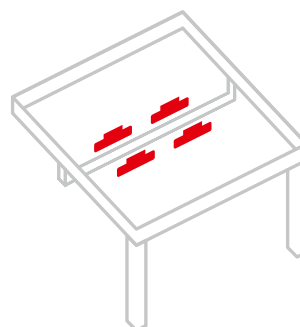
from an awning width of 201 cm



Option 4:

1 heater underneath the cross-beam

from an awning width of 201 cm



Option 8:

4 heaters attached to the side of the cross-beam

from an awning width of 301 cm

Operation (per awning)

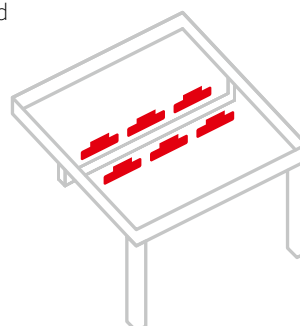
LED-Line in the cover support profiles → can only be switched on / off and dimmed together

LED-Line / LED-Spots on both sides of the cross-beam → can only be switched on / off and dimmed together

Infrared heater → can be switched on / off and dimmed individually.

N.B.: infrared heaters cannot be added at a later stage. Options 4–9 can be combined with options 1 and 2 or 3.

Depending on the extension, a maximum of two cross-beams per field are possible.



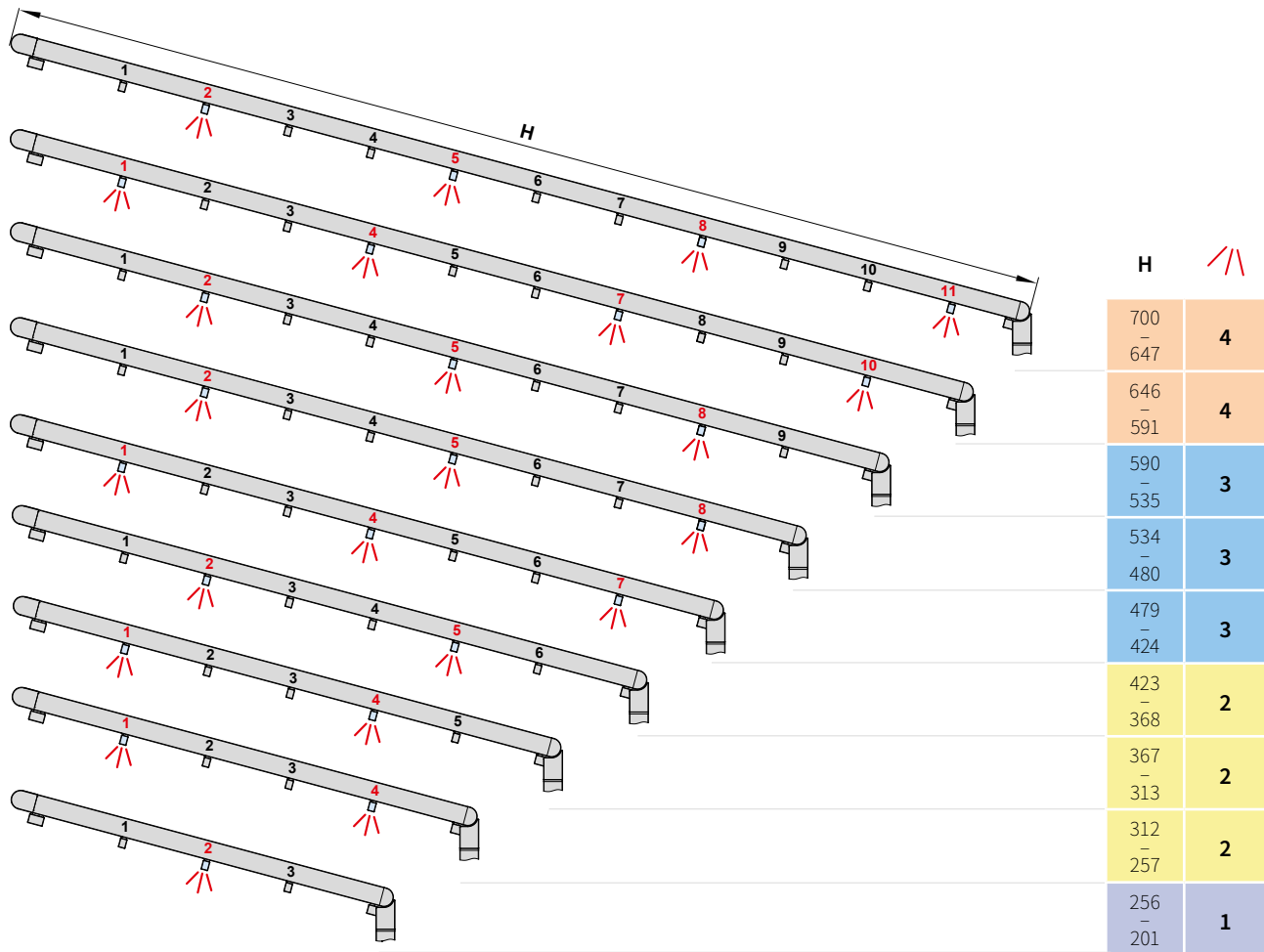
Option 9:

6 heaters attached to the side of the cross-beam

from an awning width of 501 cm

01 Lighting options LED-Line

LED-Lines in the cover support profiles – quantity and distribution



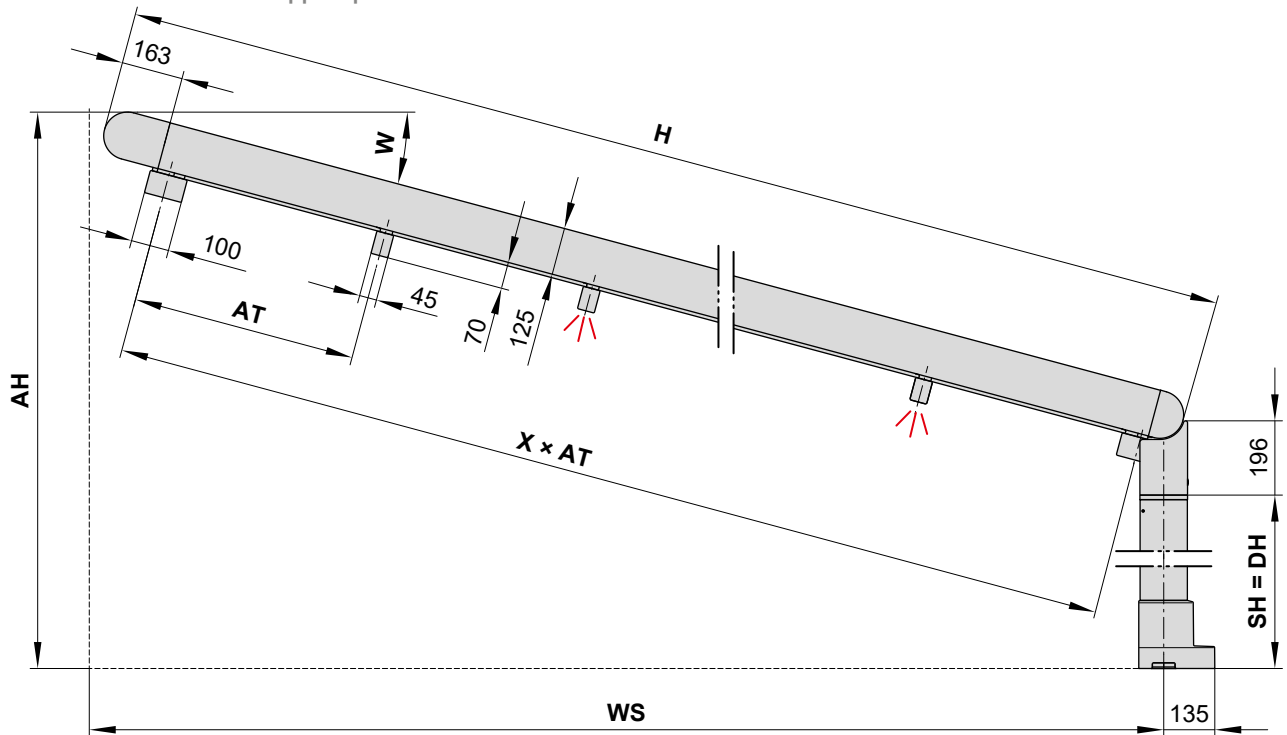
= quantity of LED-Lines in the cover support profiles

H = *order dimension* = extension

dimensions in mm

Lighting options LED-Line

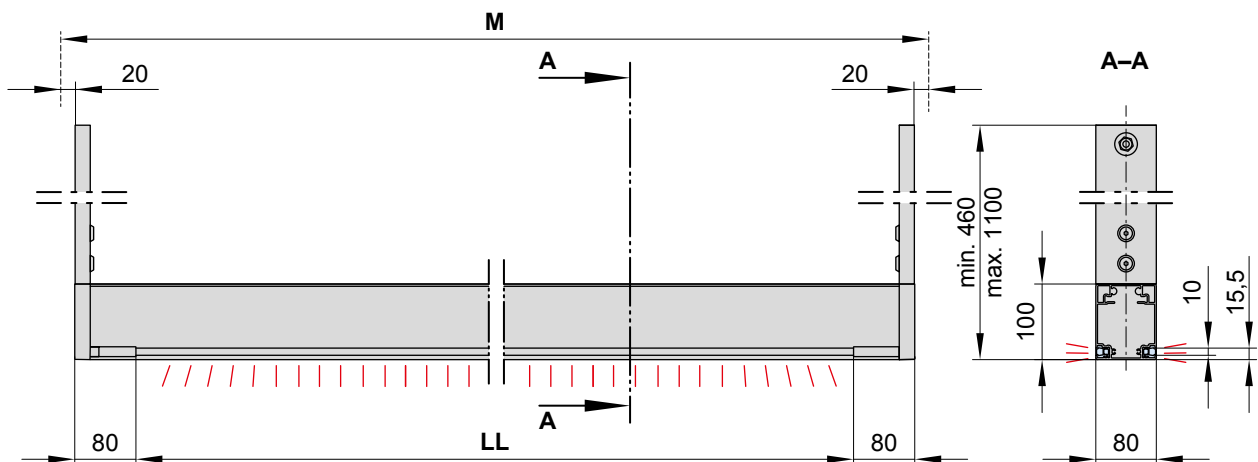
LED-Lines in in the cover support profiles – overview of dimensions



Technical specification

Operating voltage	230 V, 50 Hz
Power output per metre	10 W / metre
Number of LEDs per metre	120 units/ metre
Light source	1 unit
Number of transformers	LED (12 V)
Light temperature	warm white
IP standard	IP 44
Service life	approx. 15,000 hours

LED-Lines on both sides of the cross-beam ¹⁾ – overview of dimensions



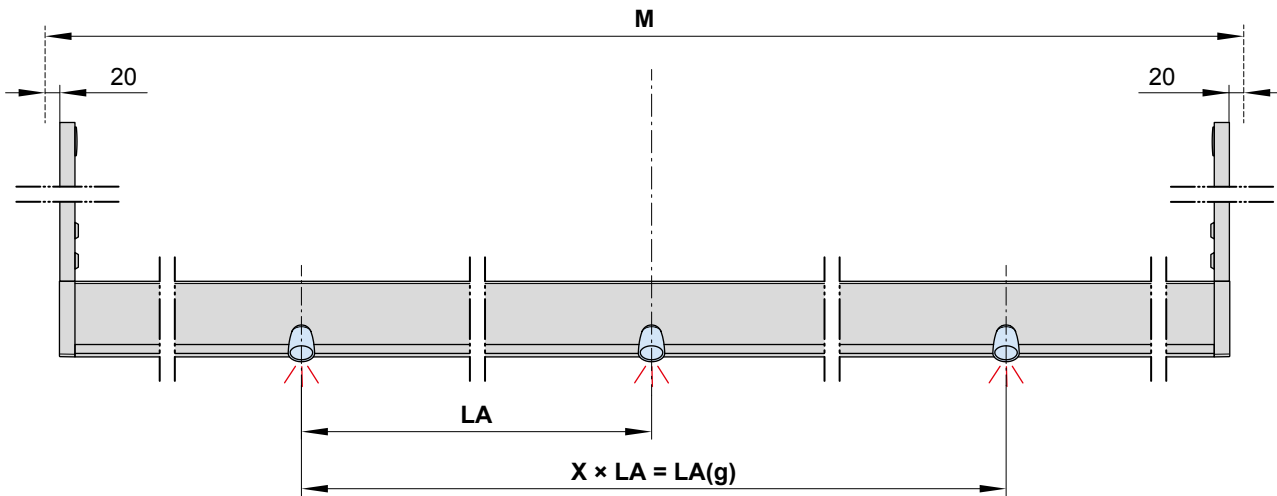
- 1) = depending on the extension, a maximum of two cross-beams per field are possible.
- AH = installation height
- AT = distance between the cover support profiles
- DH = headroom
- H = *order dimension* = extension

- LL = length of the LED-Line
- M = *order width* = awning width
- SH = *order dimensions* = post height, standard height 2500 mm
- W = pitch = 5°-25°
- WS = distance from the wall ↔ post centre
- X = quantity of cover support profile separations

dimensions in mm

01 Lighting options LED-Spots

LED-Spots on both sides of the cross-beam ¹⁾ – quantity and distribution



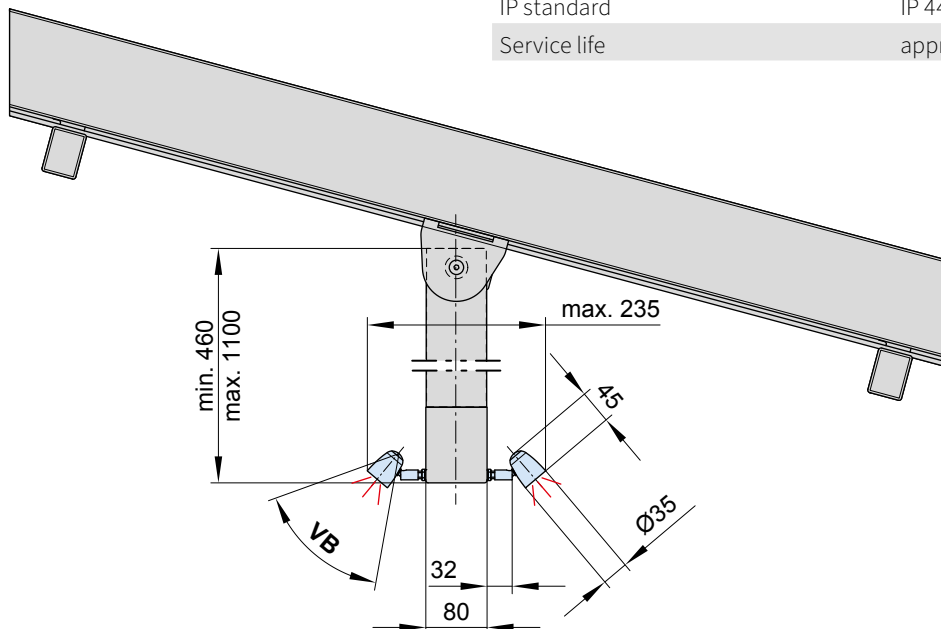
Order dimension = overall awning width (M)	201	251	301	351	451	401	501	551	601	651
Quantity of pairs of LED-Spots	3	3	3	4	4	5	5	6	6	6
Light source separation (LA)	650	980	980	980	980	980	980	980	980	980

dimensions in cm

Technical specification

Operating voltage	230 V, 50 Hz
Power output of one LED spotlight	5 W
Light source	LED (12 V)
Number of transformers	1 unit
Light temperature	warm white
IP standard	IP 44
Service life	approx. 20,000 hours

LED-Spots on both sides of the cross-beam ¹⁾ – Overview of dimensions



1) = depending on the extension, a maximum of two cross-beams per field are possible.

LA = light source separation

LA(g) = sum of lamp source separations

M = order width = overall awning width

VB = adjustment range

X = quantity of light source separations

dimensions in mm

markilux infrared heater 2500 W

dimmable in 3 stages with integrated radio-controlled receiver 868 MHz io



Special features

- soft start function with reduced initial current surge
- cooling fins on the back prevent excessive heating of the mounting surface
- the asymmetrical reflector gives optimum heat distribution
- infrared halogen lamp with "Ultra Low Glare" heating tube technology and pleasant colour temperature
- minimum installation height 1.8 m
- minimum distance to any irradiated object 1 m

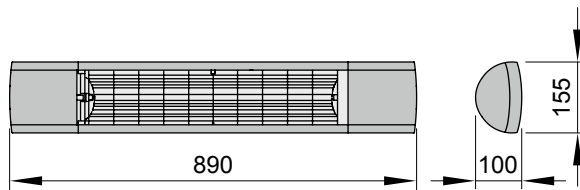
markilux heaters offer the benefit of cosy infrared warmth - making your stay outside a pleasant one.

While producing a minimum of glare, they turn the energy used into a maximum of warmth. Infrared heaters are perfect leisure time companions for garden, terrace, balcony and under awnings. They are efficient, conserve energy and create a warm atmosphere at the touch of a button.

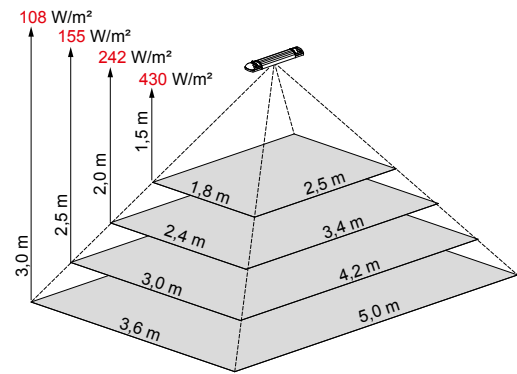
Technical specification

Power supply	230 V, 50 Hz, 16 A
Power supply wire cross section	H05SS-F2G 3 × 1,5 mm ²
Power output (per heater)	2500 Watt
IP standard	IP 54
Length × depth × height	890 × 100 × 155 mm

Overview of dimensions



Maximum infrared radiation intensity Infrared heater 2500 Watt

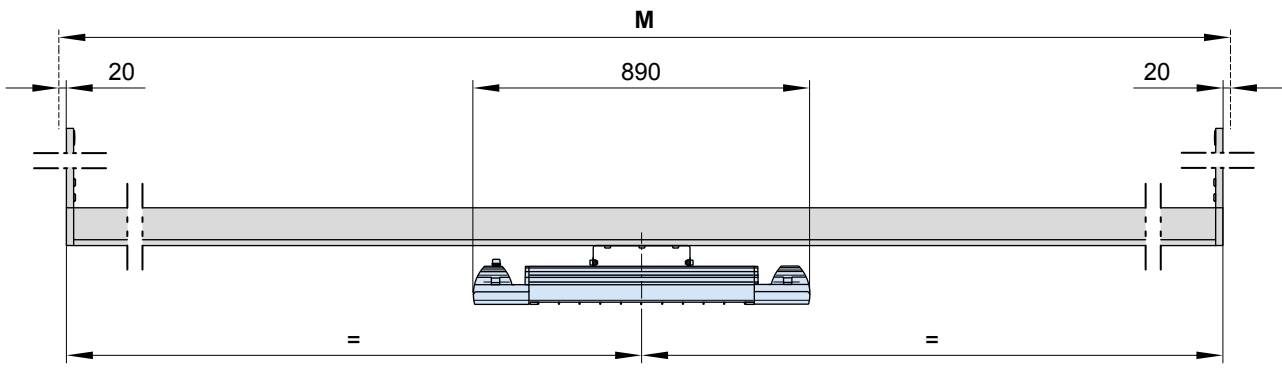


Core radiation zone (50 % of the central radiation intensity)

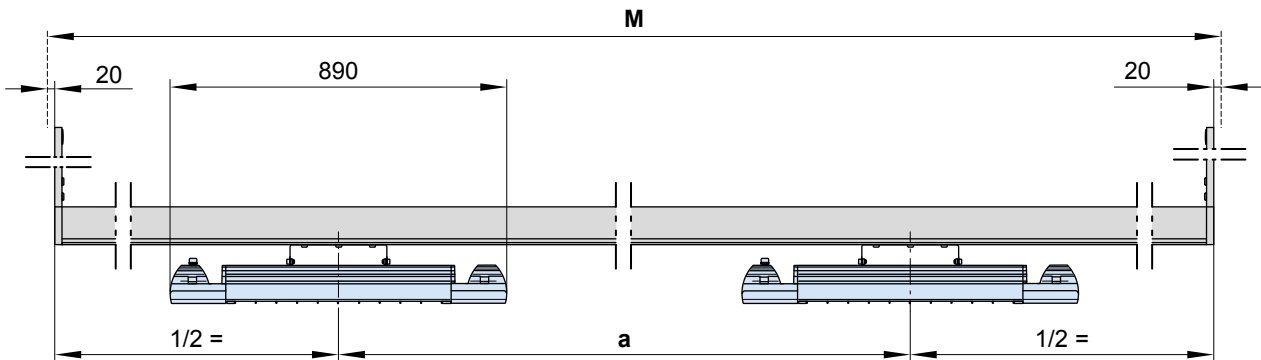
dimensions in mm

01 Heater options

1 heater underneath the cross-beam



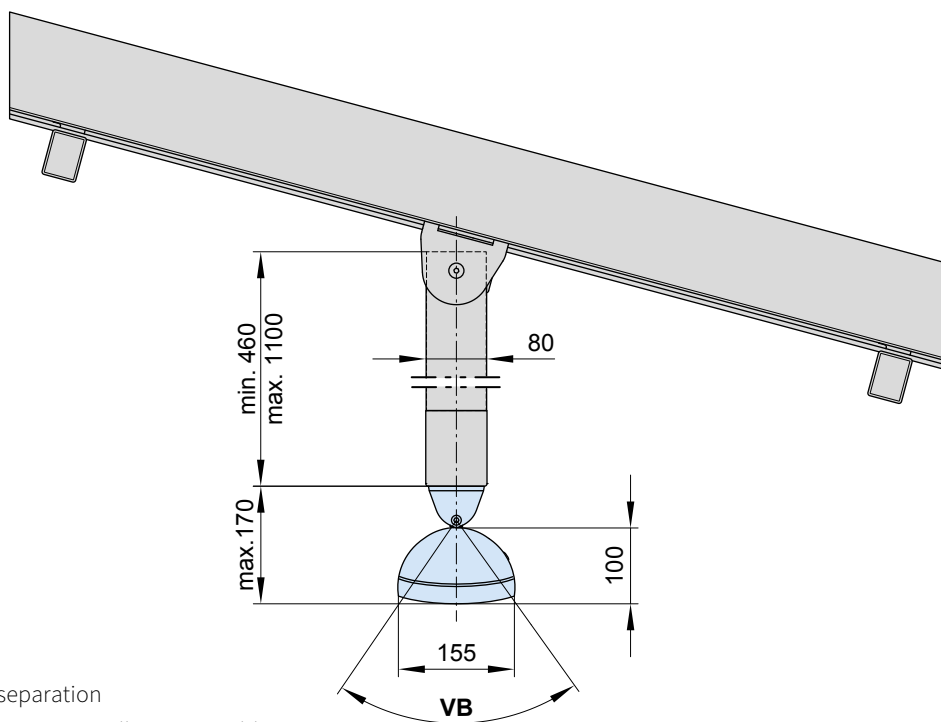
2 or 3 heaters underneath the cross-beam



Overall awning width M [cm]	301	351	401	451	501	551	601	651
	350	400	450	500	550	600	650	700
a in the case of two heaters	150	175	200	225	250	275	300	325
a in the case of three heaters	—	—	—	—	170	185	200	220

dimensions in cm

side view

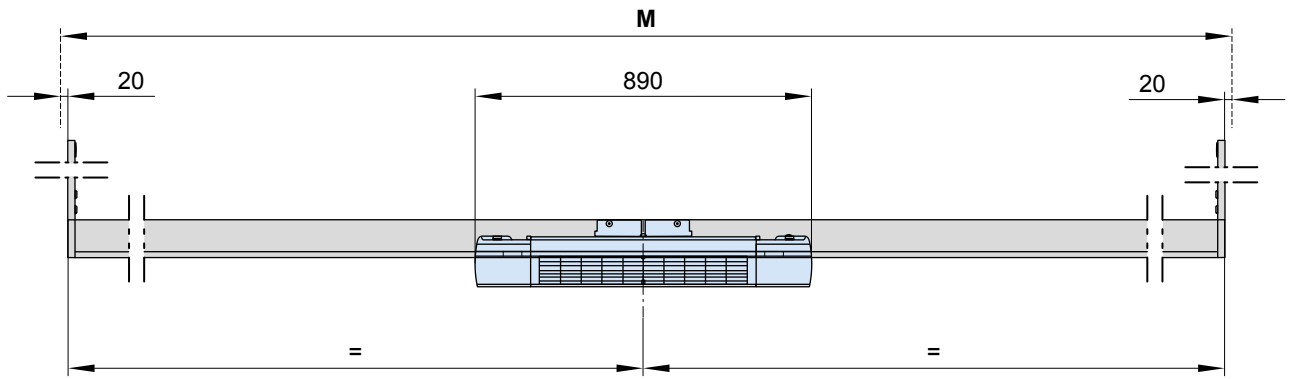


- a** = heater separation
- M** = *order width* = overall awning width
- VB** = adjustment range

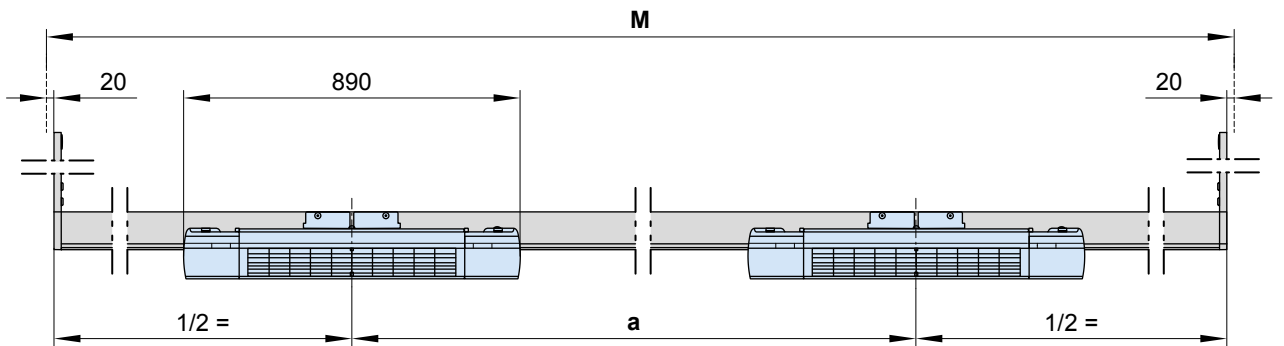
dimensions in mm

Heater options

2 heaters attached to the cross-beam in pairs



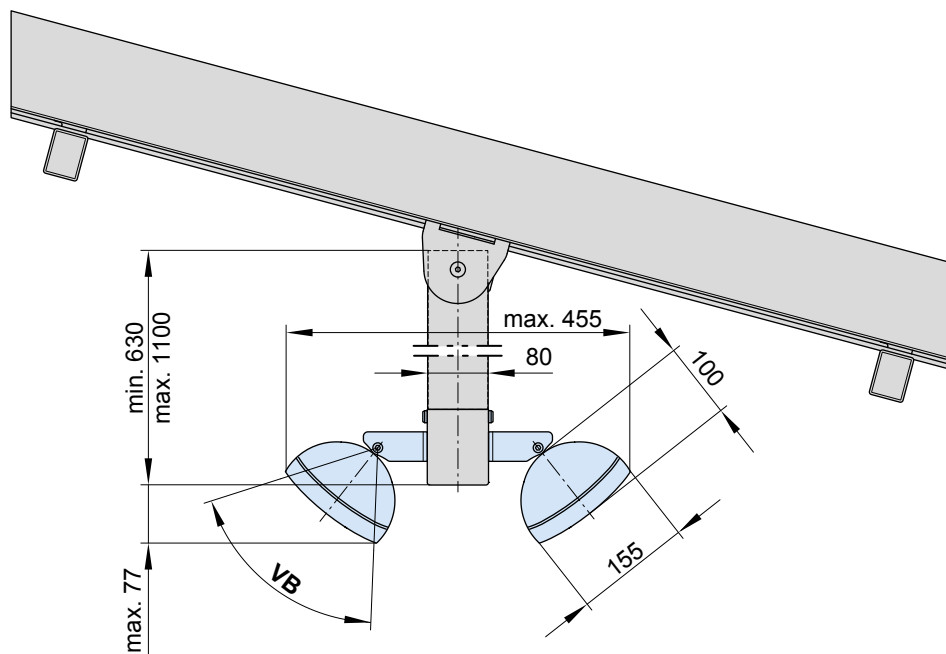
4 or 6 heaters underneath the cross-beam



Overall awning width M [cm]	301	351	401	451	501	551	601	651
a in the case of four heaters	150	175	200	225	250	275	300	325
a in the case of six heaters	—	—	—	—	170	185	200	220

dimensions in cm

side view

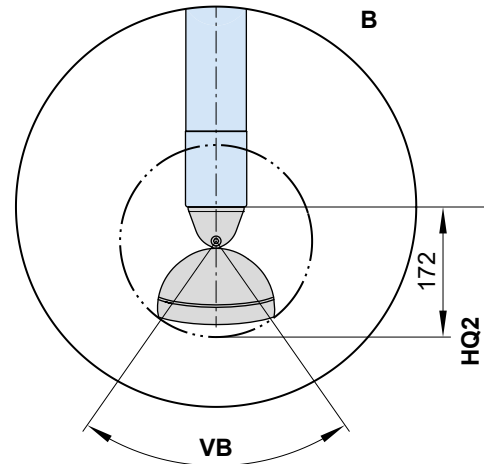
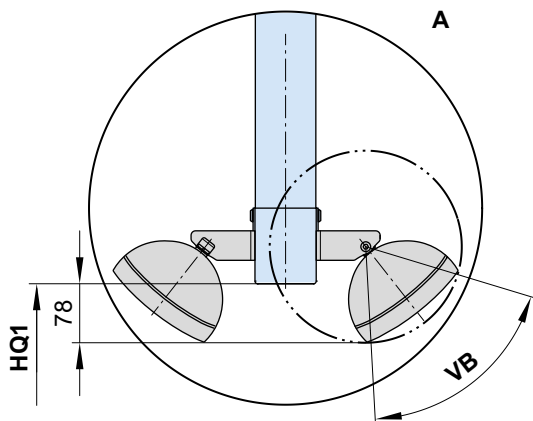
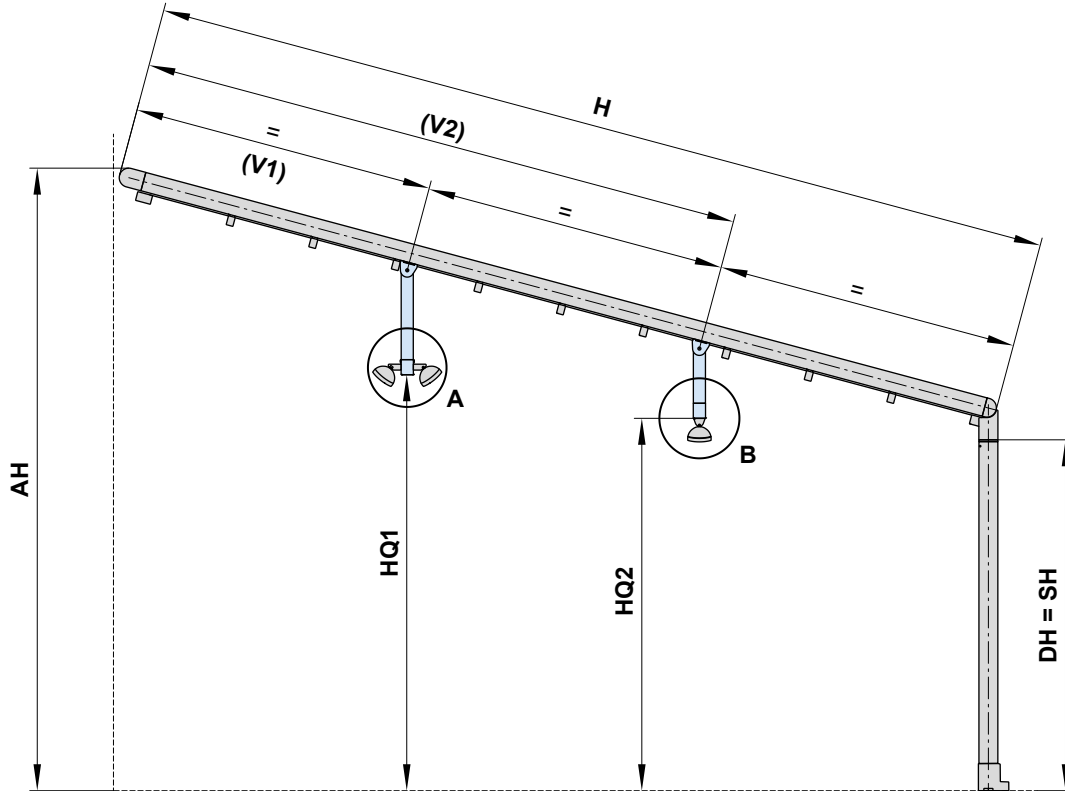


- a** = heater separation
- M** = *order width* = overall awning width
- VB** = adjustment range

dimensions in mm

01 Overview of dimensions

Available headroom when fitting lighting and heating



Calculation of the headroom at the cross-beam

LED-Line	HQ1 / HQ2
LED-Spots	HQ1 - 15 / HQ2 - 15
Heaters attached to the side ¹⁾	HQ1 - 78
Heaters attached underneath ¹⁾	HQ2 - 172

1) Distribution on request, sample drawing

Minimum heater separation for safety purposes

During planning and installation, the minimum markilux heater separation distances as laid down in the safety guidelines must be observed.

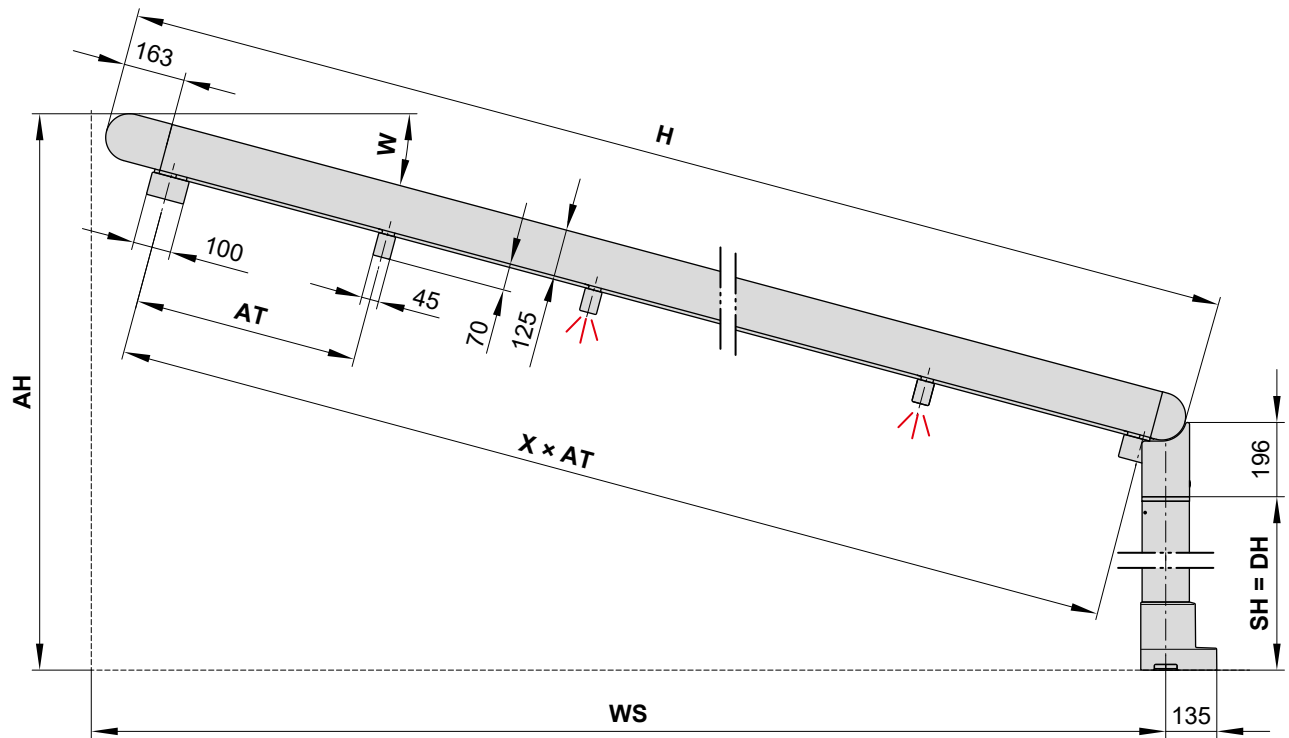
- AH = unit height
- DH = headroom
- H = extension
- HQ1 = *order dimension* = height of the underside of cross-beam 1
- HQ2 = *order dimension* = height of the underside of cross-beam 2
- SH = *order dimension* = post height, standard height 2500 mm

- VB = adjustment range
- V1 = *order dimension* = rear of the cassette ↔ centre of the cross-beam 1, min. 250 mm
- V2 = *order dimension* = rear of the cassette ↔ centre of the cross-beam 2, max. H-250 mm

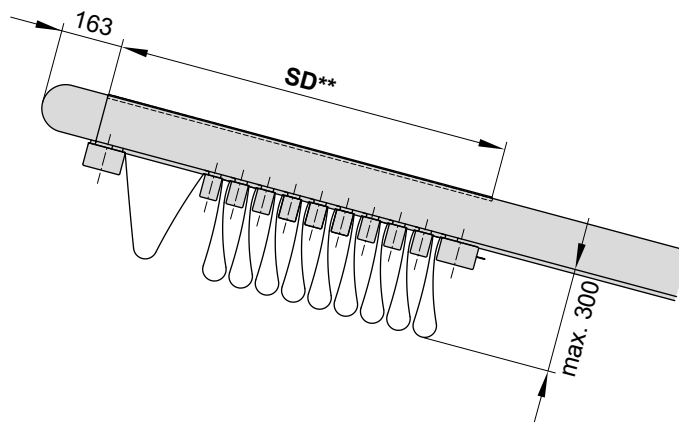
dimensions in mm

Overview of dimensions

Awning dimensions



Awning dimensions – awning retracted



Coverboard dimension matrix

Extension (H)	201	257	313	368	424	480	535	591	647
	256	312	367	423	479	534	590	646	700
Quantity of cover support profiles	3	4	5	6	7	8	9	10	11
Quantity of cover support profiles	3	3	3	4	4	4	5	5	5
Coverboard depth (SD)	63	63	63	84	84	84	105	105	105

dimensions in cm

** = refer to the "Coverboard dimension matrix"

AH = installation height

AT = distance between the cover support profiles

DH = headroom

H = *order dimension* = extension

SD = coverboard

SH = *order dimension* = post height, standard height 2500 mm

W = pitch = 5°-25°

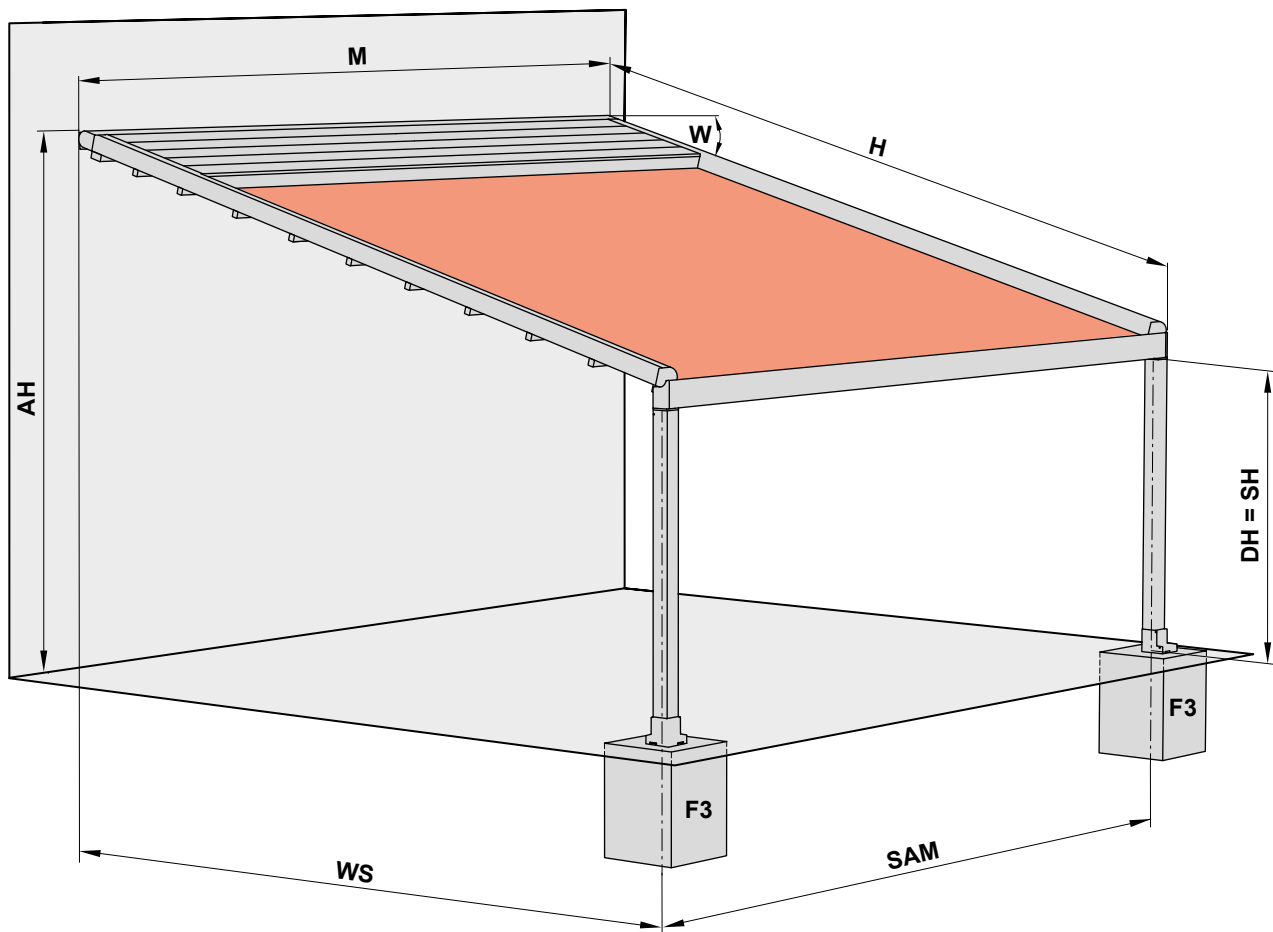
WS = distance from the wall ↔ post centre

X = quantity of cover support profile separations

dimensions in mm

01 Overview of dimensions

Unit with 2 guide tracks ($M \leq 450$ cm)



AH = unit height

DH = headroom

F3 = concrete foundation - please refer to the section "Concrete foundations"

H = *order dimension* = extension

M = *order width* = awning width

SAM = post separation, centre to centre

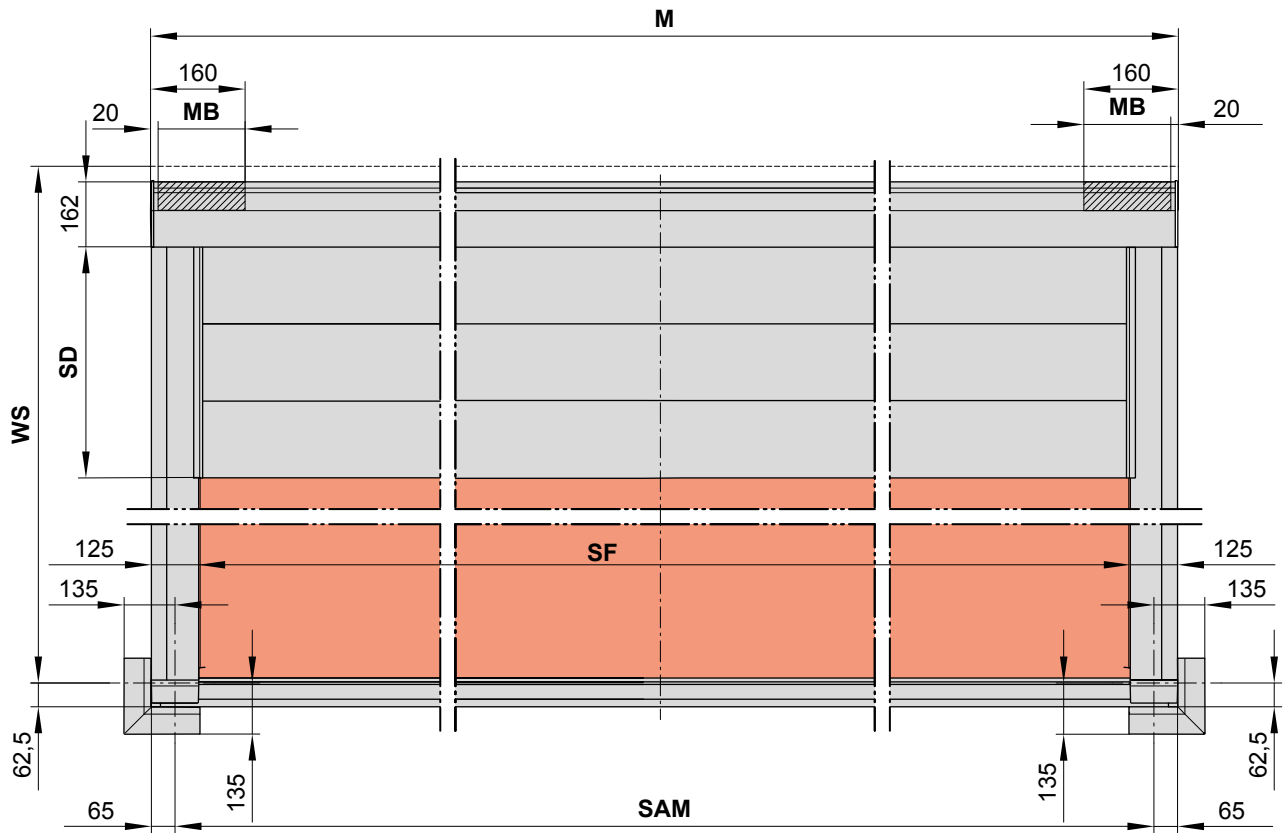
SH = *order dimensions* = post height, standard height 2500 mm

W = pitch = 5°–25°

WS = distance from the wall \leftrightarrow post centre

Overview of dimensions

Unit with 2 guide tracks – bracket fixture range

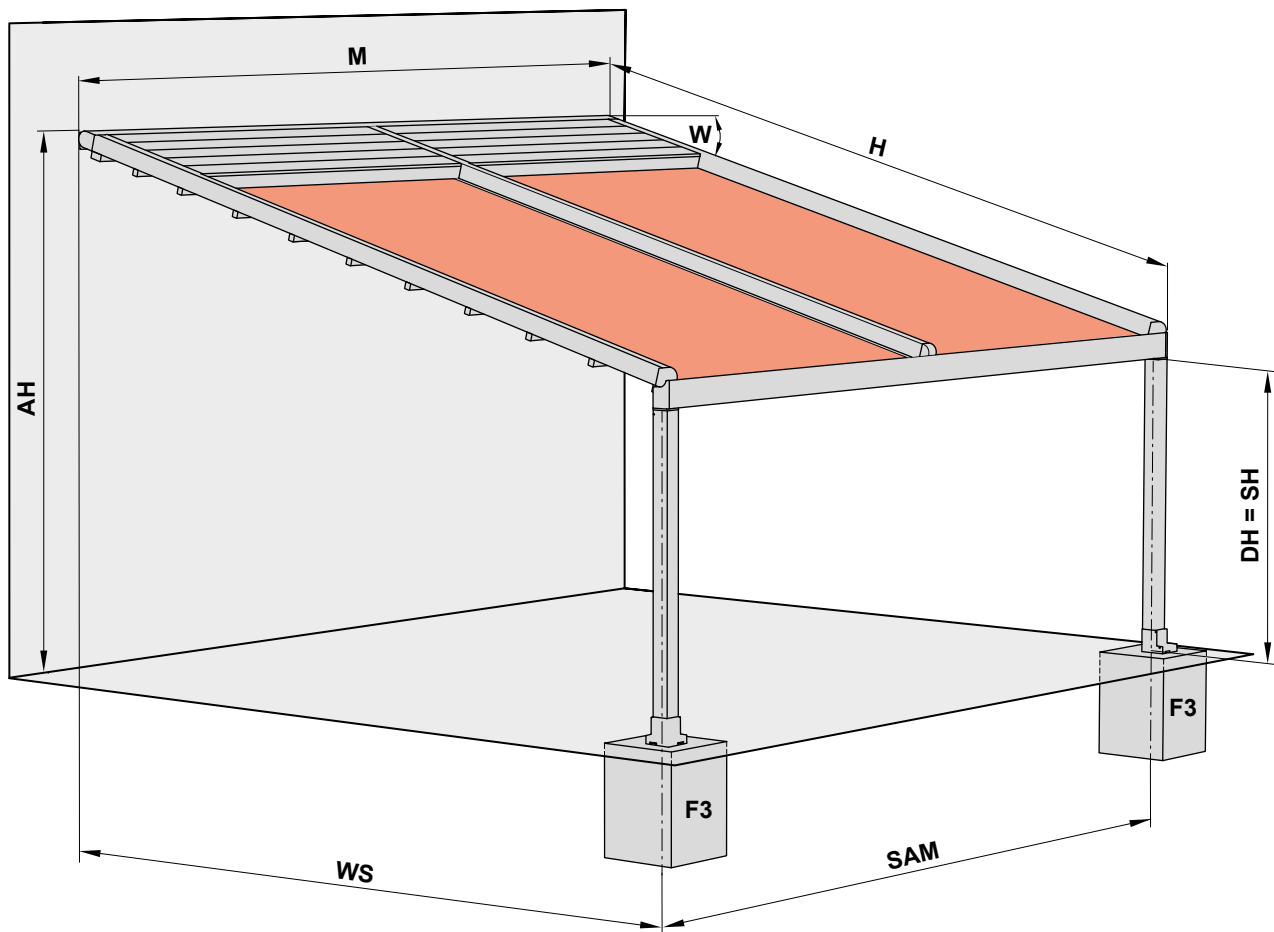


M = *order width* = awning width
MB = bracket fixture range
SAM = post separation , centre to centre

SD = coverboard
SF = visible cover area
WS = distance from the wall ↔ post centre dimensions in mm

01 Overview of dimensions

Unit with 3 guide tracks ($M \geq 451$ cm)



AH = unit height

DH = headroom

F3 = concrete foundation - please refer to the section "Concrete foundations"

H = *order dimension* = extension

M = *order width* = awning width

SAM = post separation, centre to centre

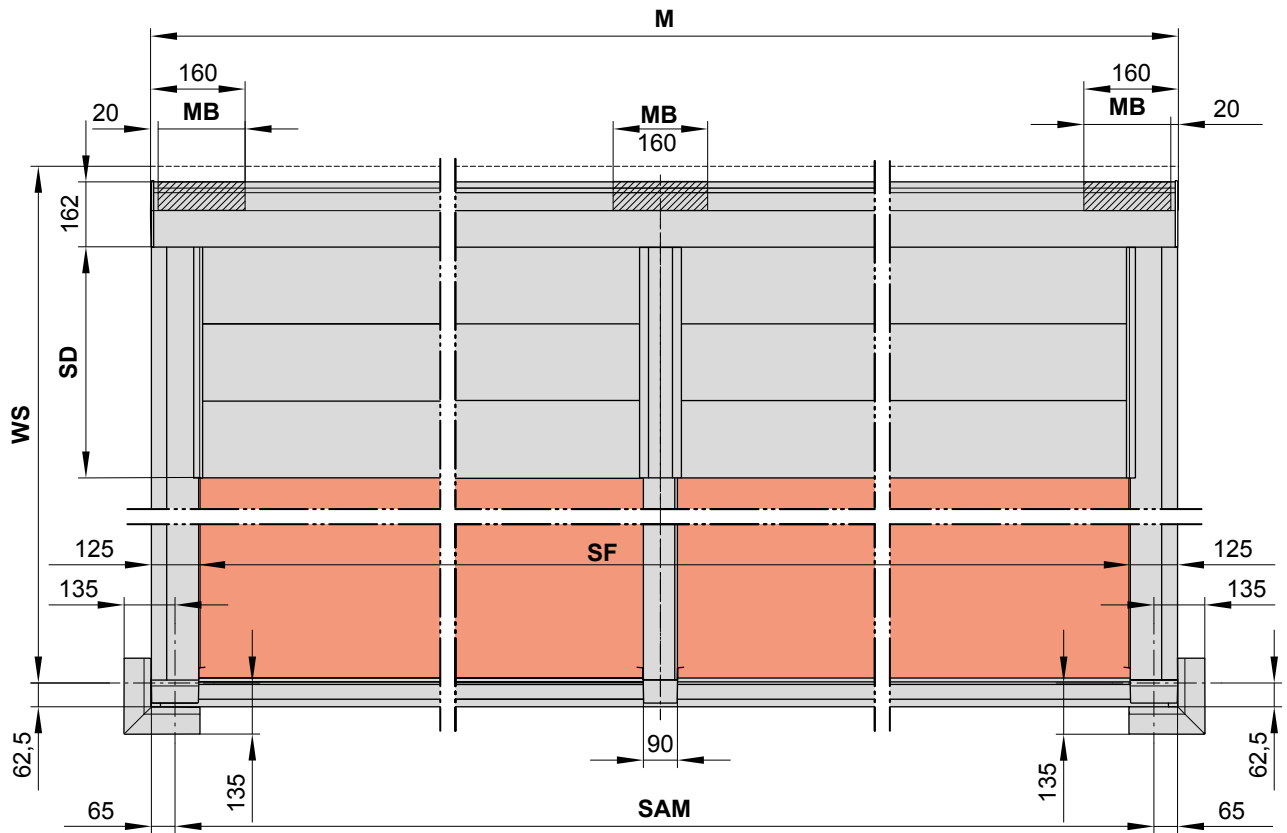
SH = *order dimensions* = post height, standard height 2500 mm

W = pitch = 5°–25°

WS = distance from the wall \leftrightarrow post centre

Overview of dimensions

Unit with 3 guide tracks – bracket fixture range

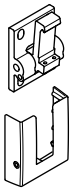


- M** = order width = awning width
- MB** = bracket fixture range
- SAM** = post separation, centre to centre

- SD** = coverboard
- SF** = visible cover area
- WS** = distance from the wall ↔ post centre dimensions in mm

01 Face fixture

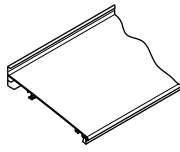
Fixtures, fittings and accessories



Face fixture bracket
incl. decorative cover

pitch adjustment
range 5°–25°

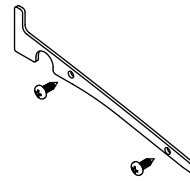
71456.



Wall sealing profile
incl. brush seal

by the metre

76385. and 704241

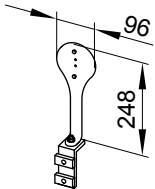


Side cover profile
for wall sealing profile

and

2 pan-head self-tapping
screws

76465. and 2 × 735611

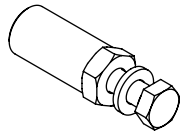


Bracket

for automatic weather
control sensor

iO

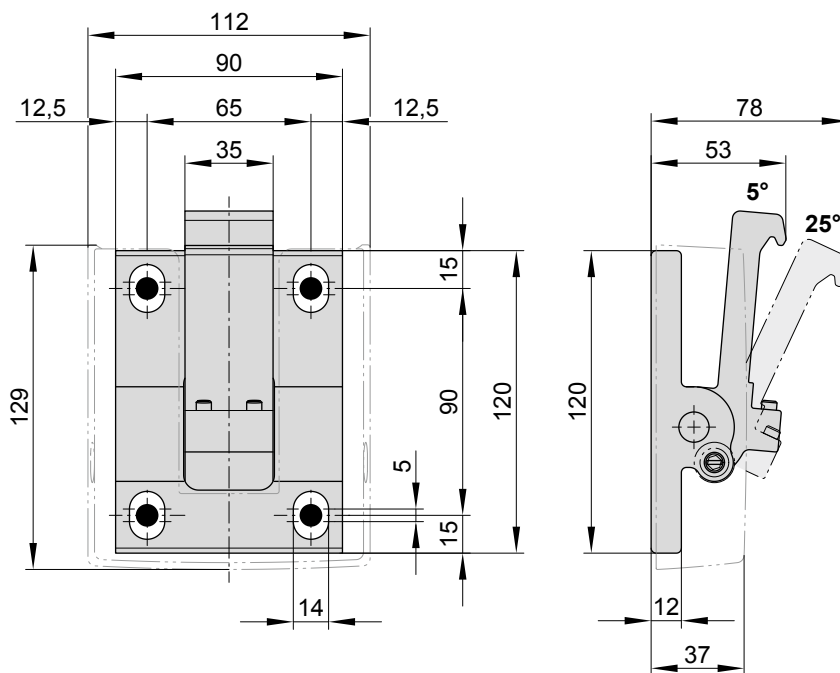
71952.



Reduction bolt

pack 10 pcs

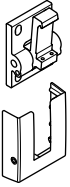
M 16 → M 12 | M 16 → M 10 | M 12 → M 10 | M 10 → M 10



dimensions in mm

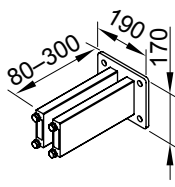
Face fixture with stand-off bracket

Fixtures, fittings and accessories



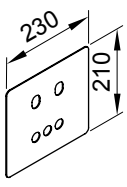
71456.

Face fixture bracket
incl. decorative cover
pitch adjustment
range 5°–25°



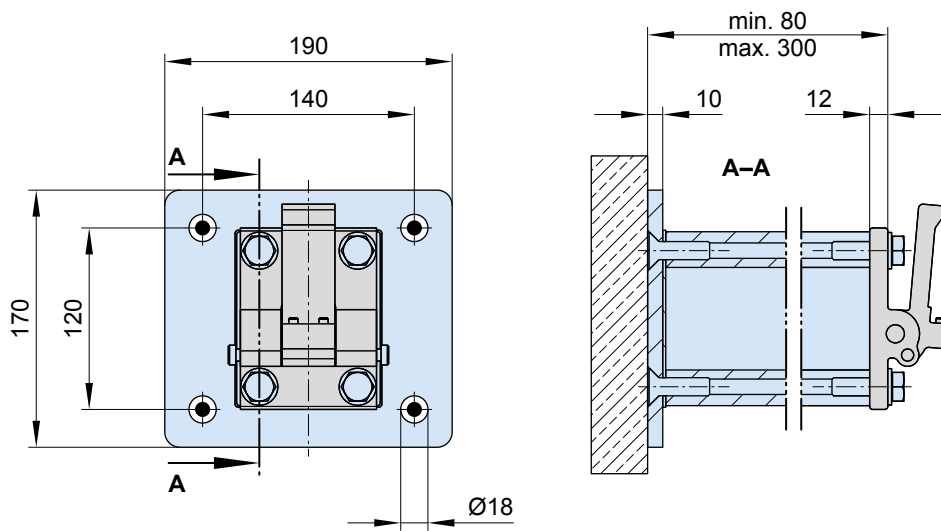
77968.

Stand-off bracket
for 2 face fixture
brackets 71456.



71843.

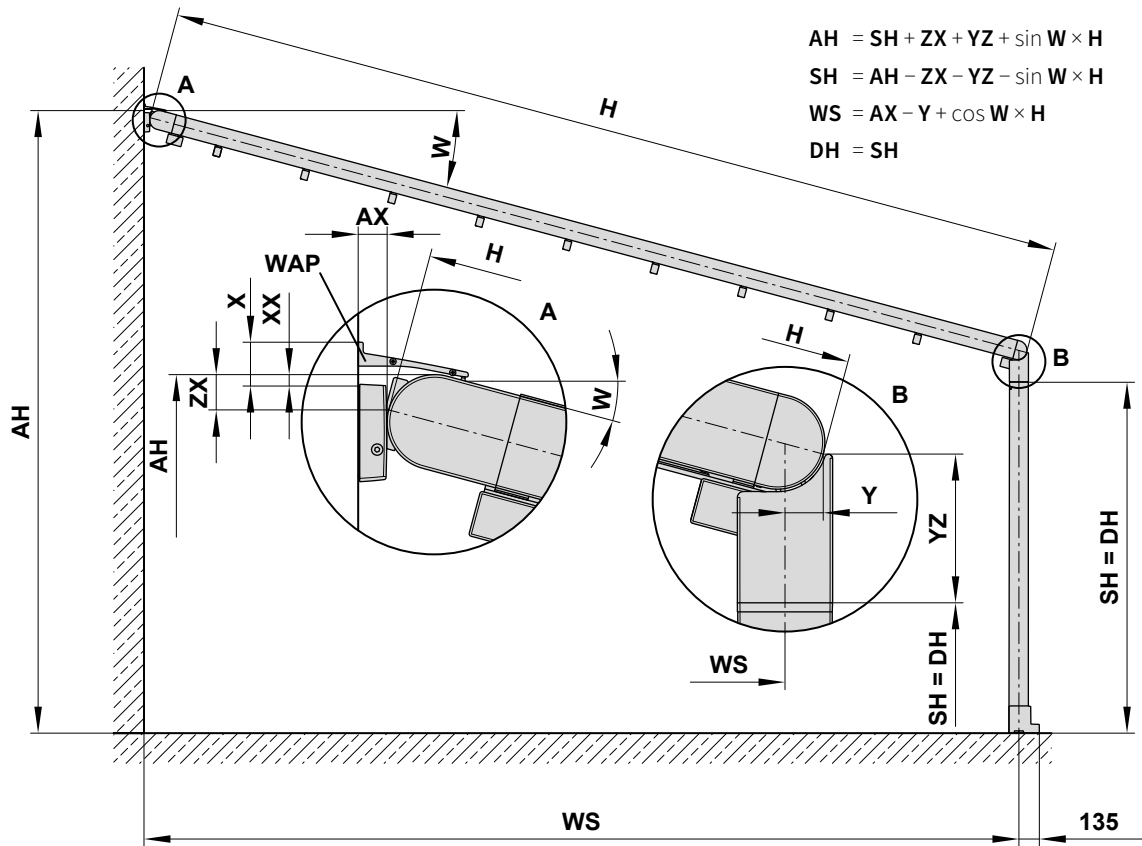
Cover plate
for spacer plate
and stand-off bracket
in the case of external
insulation
230 × 210 × 2 mm



dimensions in mm

01 Calculation of the installation height

Face fixture



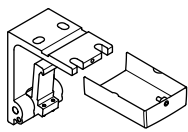
W	AX	Y	ZX	YZ	XX	X
5°	34	52	58	207	30	75
10°	37	52	52	202	23	65
15°	41	51	47	197	16	57
20°	44	49	41	191	8	50
25°	47	47	36	186	0	42

- AH** = installation height
- AX** = measurement from the wall ↔ rear centre of the cassette
- DH** = headroom
- H** = *order dimension* = extension
- SH** = *order dimension* = post height
- W** = pitch (measured from the horizontal)
- WAP** = wall sealing profile
- WS** = measurement from the wall ↔ centre of the support post
- X** = measurement from the top of the fixture bracket ↔ top edge of the wall sealing profile
- XX** = measurement from the top of the fixture bracket ↔ top of the cassette
- Y** = measurement from the leading edge of the front profile ↔ centre of the support post
- YZ** = measurement from the leading edge of the front profile ↔ underside of the gutter
- ZX** = measurement from the top edge of the cassette ↔ rear centre of the cassette

dimensions in mm

Top fixture

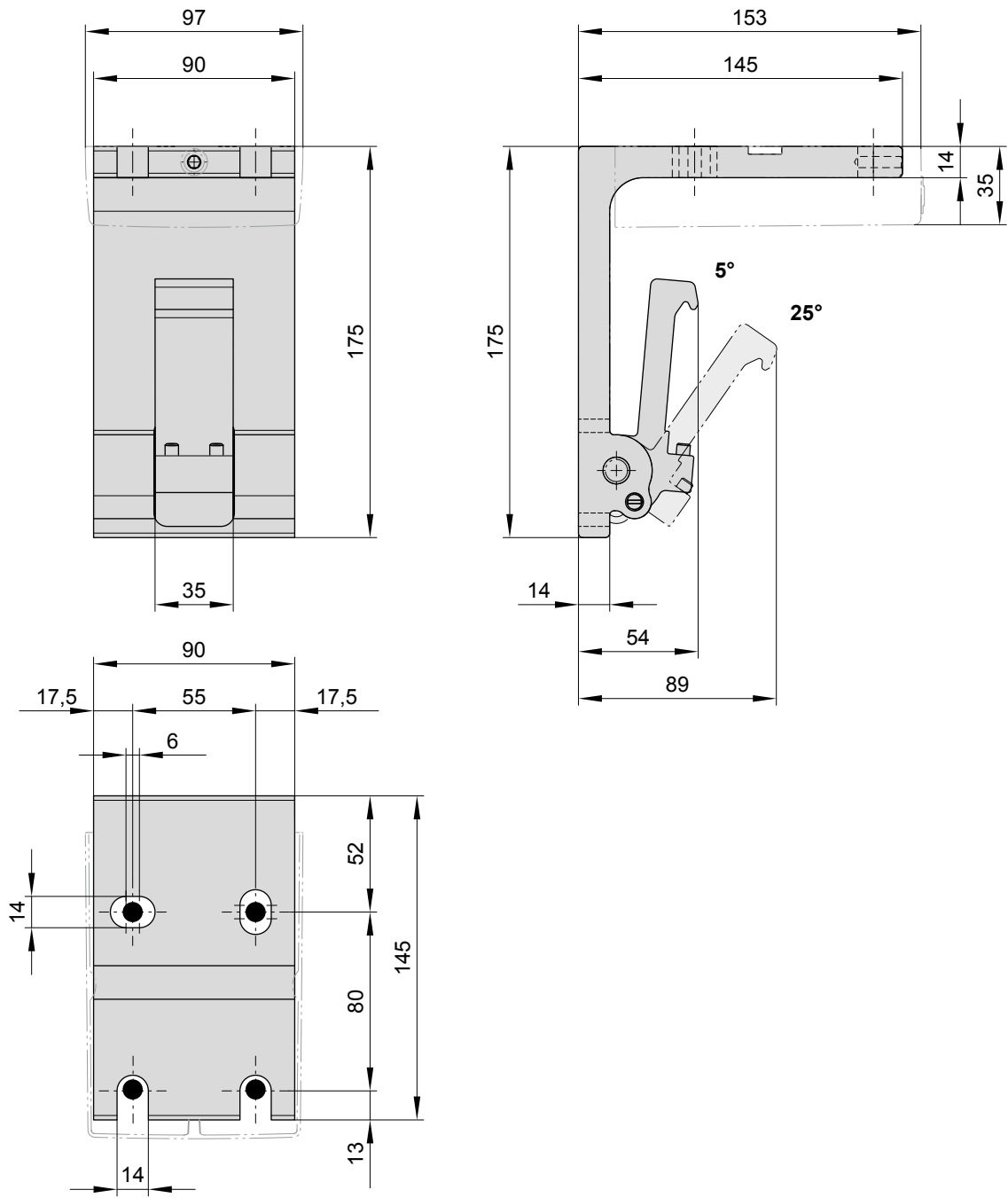
Fixtures, fittings and accessories



Top fixture bracket
incl. decorative cover

pitch adjustment
range 5°–25°

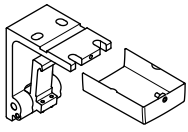
71458.



dimensions in mm

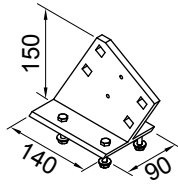
01 Eaves fixture bracket 150 mm

Fixtures, fittings and accessories



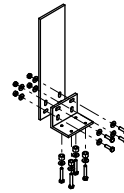
Top fixture bracket
incl. decorative cover
pitch adjustment
range 5°–25°

71458.



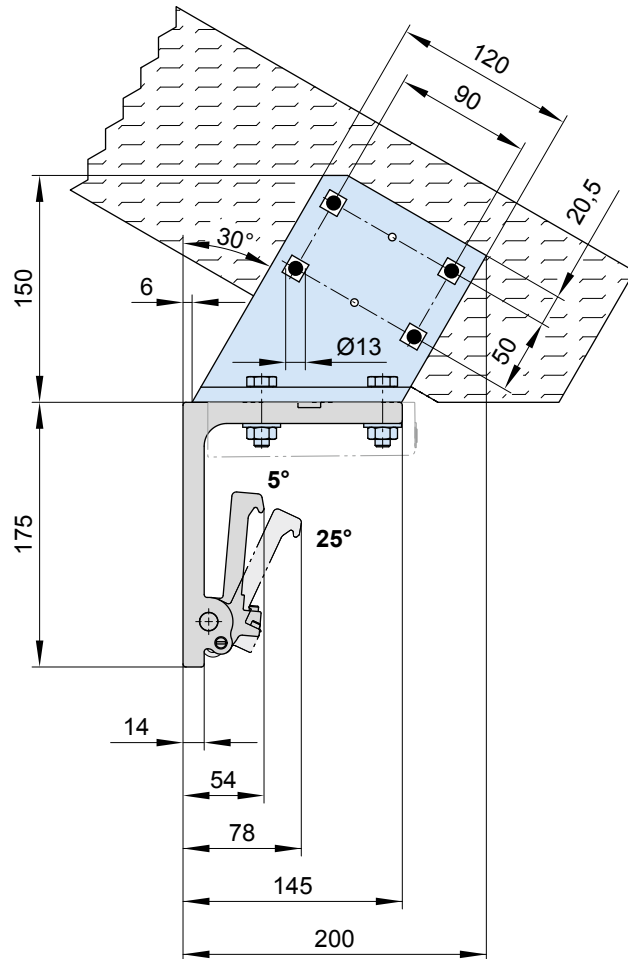
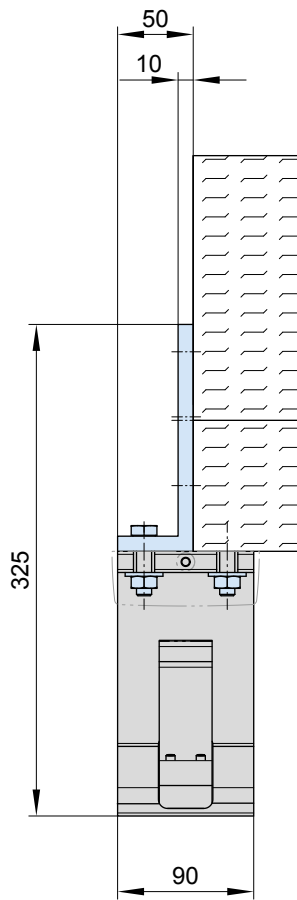
Eaves fixture bracket
150 mm

75889.



Angle and plate for eaves
fixture
height of flat plate: 500
mm
machine finish

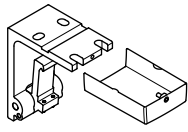
716620



dimensions in mm

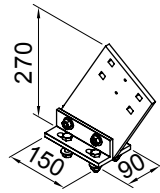
Eaves fixture bracket 270 mm

Fixtures, fittings and accessories



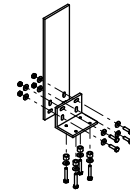
Top fixture bracket
incl. decorative cover
pitch adjustment
range 5°—25°

71458.



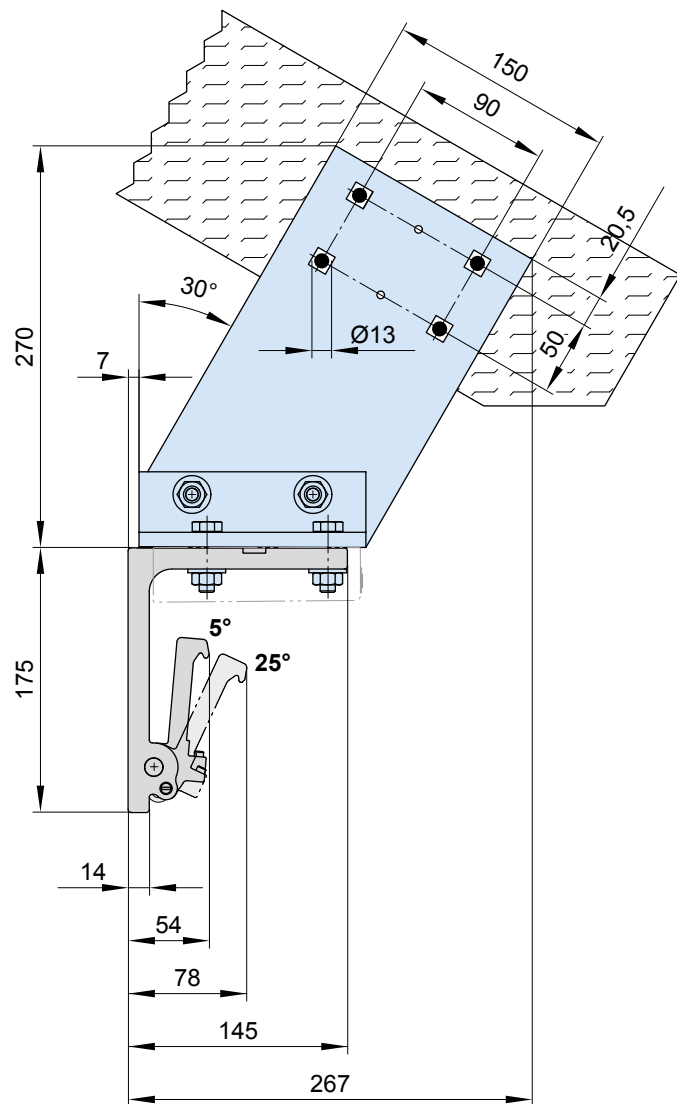
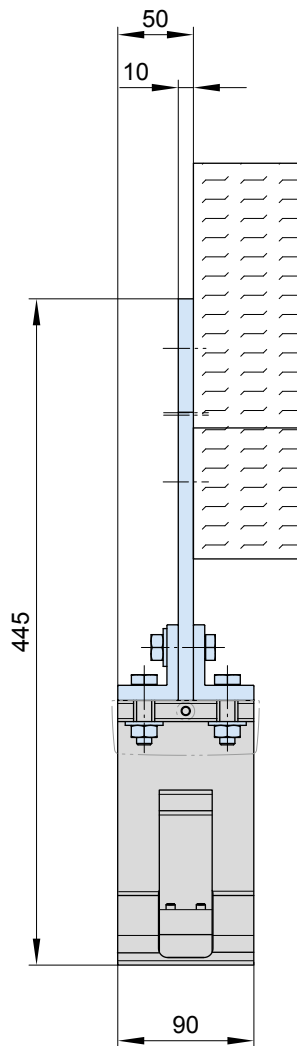
Eaves fixture bracket
270 mm

71659.



Angle and flat plate for
eaves fixture
height of flat plate: 500
mm
machine finish

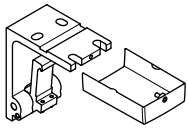
716620



dimensions in mm

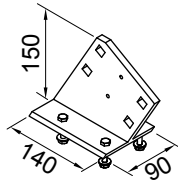
01 Eaves fixture with supplementary flat backing plate 150 mm

Fixtures, fittings and accessories



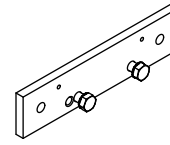
Top fixture bracket
incl. decorative cover
pitch adjustment
range 5°–25°

71458.



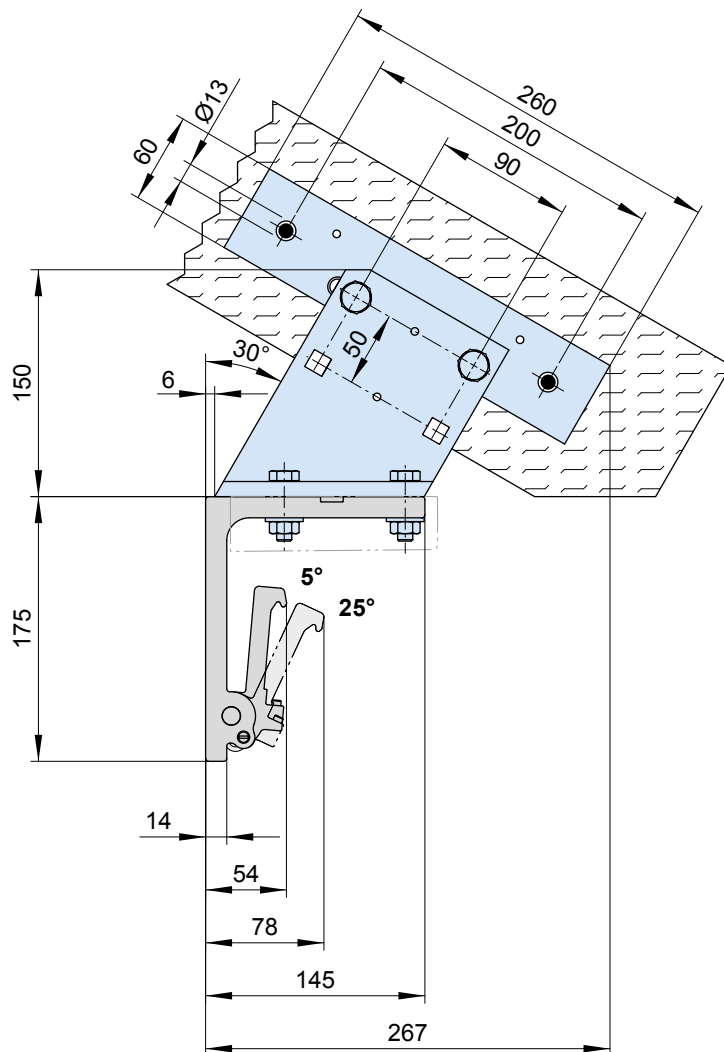
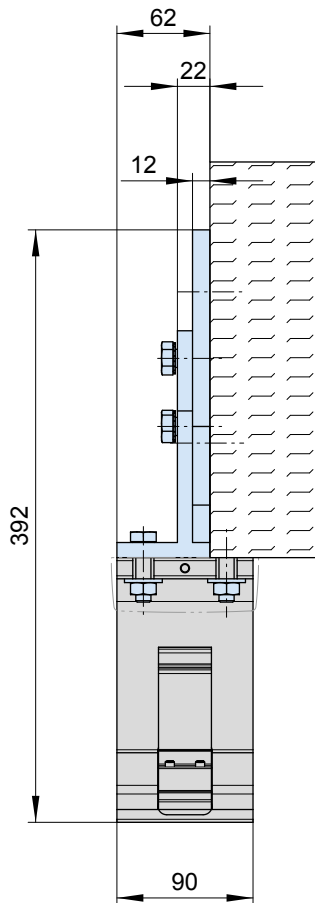
Eaves fixture bracket
150 mm

75889.



Supplementary flat
backing plate for eaves
fixture
260 × 60 × 12 mm

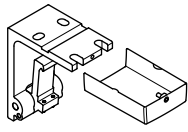
75383.



dimensions in mm

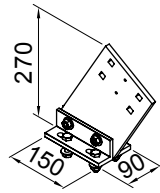
Eaves fixture with supplementary flat backing plate 270 mm

Fixtures, fittings and accessories



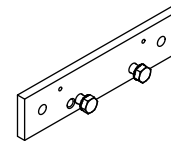
Top fixture bracket
incl. decorative cover
pitch adjustment
range 5°–25°

71458.



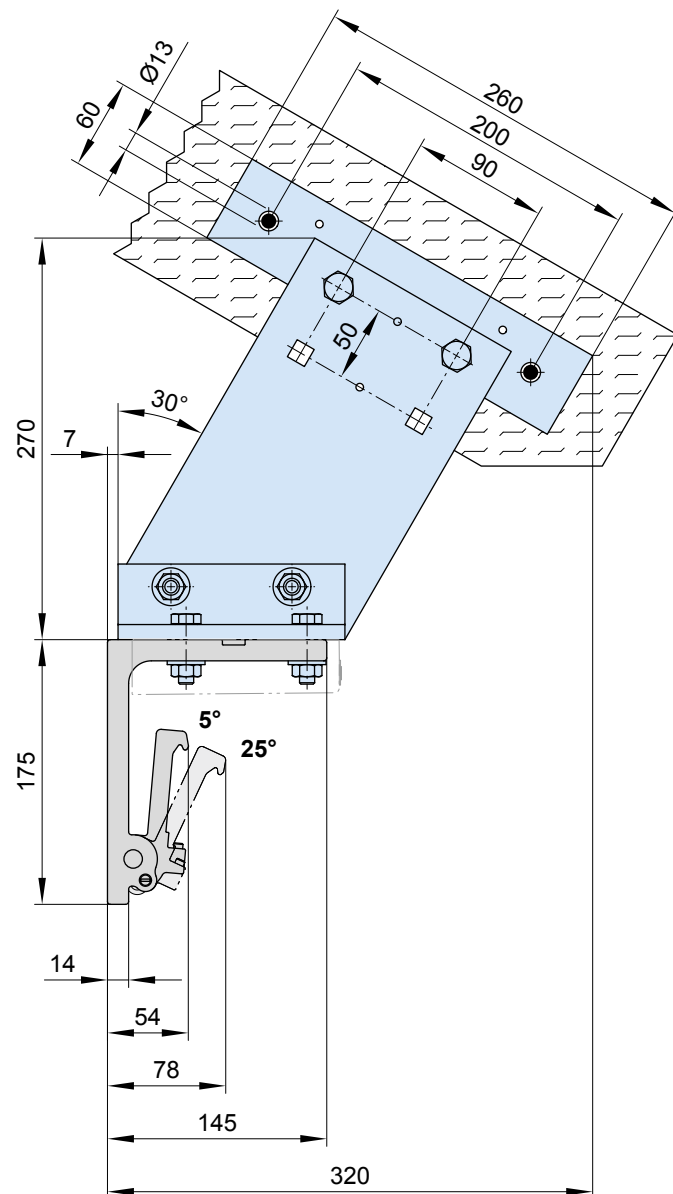
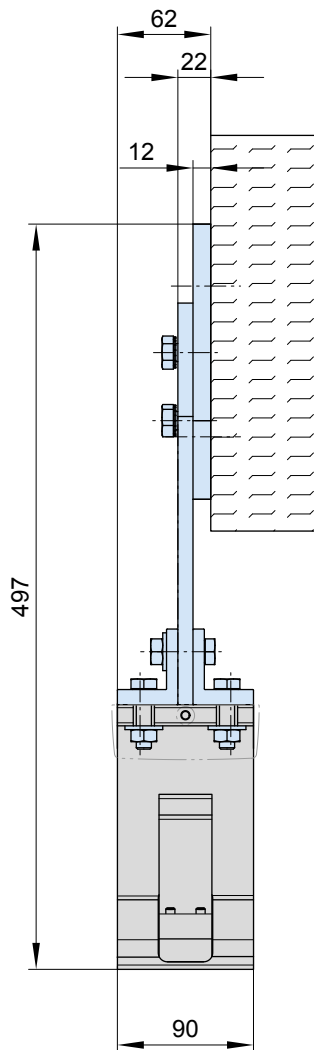
Eaves fixture bracket
270 mm

71659.



Supplementary flat
backing plate for eaves
fixture
260 × 60 × 12 mm

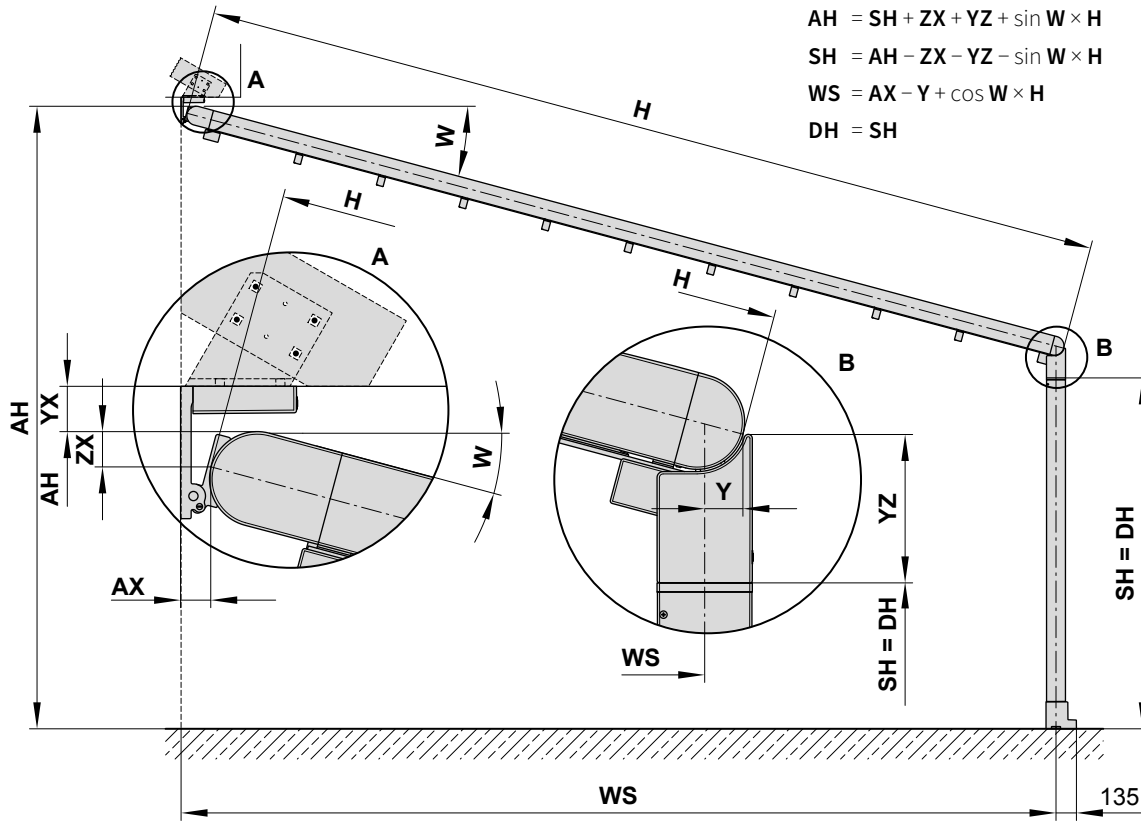
75383.



dimensions in mm

01 Calculation of the installation measurements

Top and eaves fixture



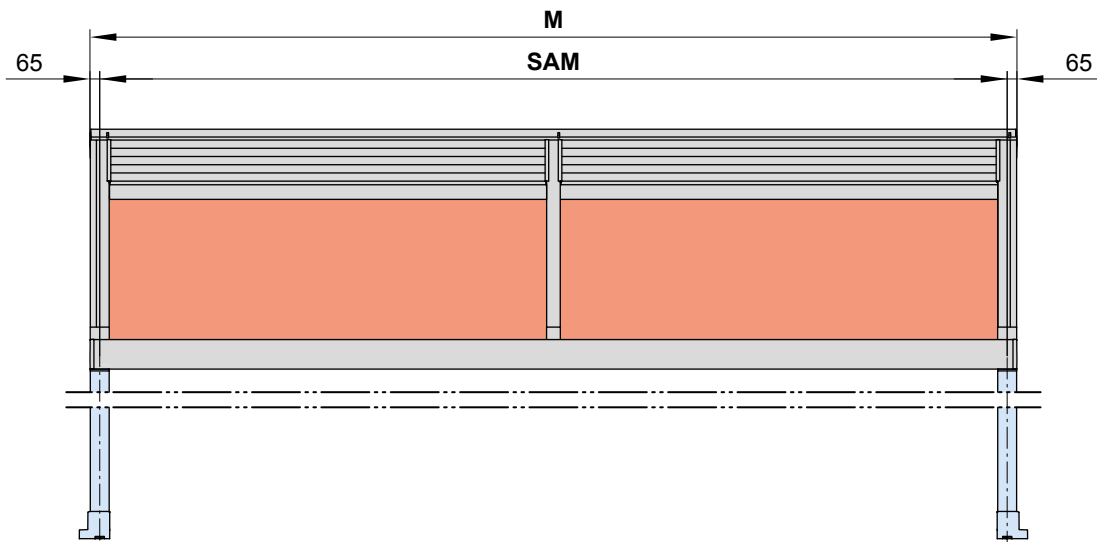
W	AX	Y	ZX	YZ	YX
5°	34	52	58	207	45
10°	37	52	52	202	52
15°	41	51	47	197	60
20°	44	49	41	191	67
25°	47	47	36	186	75

- AH** = installation height
- AX** = measurement from the wall ↔ rear centre of the cassette
- DH** = headroom
- H** = *order dimension* = extension
- SH** = *order dimension* = post height
- W** = pitch angle (measured from the horizontal)
- WS** = distance from the wall ↔ post centre
- Y** = measurement from the leading edged of the front profile ↔ centre of the support post
- YX** = measurement from the top edge of the fixture bracket ↔ top of the cassette
- YZ** = measurement from the leading edge of the front profile ↔ underside of the gutter
- ZX** = measurement from the top of the cassette ↔ rear centre of the cassette

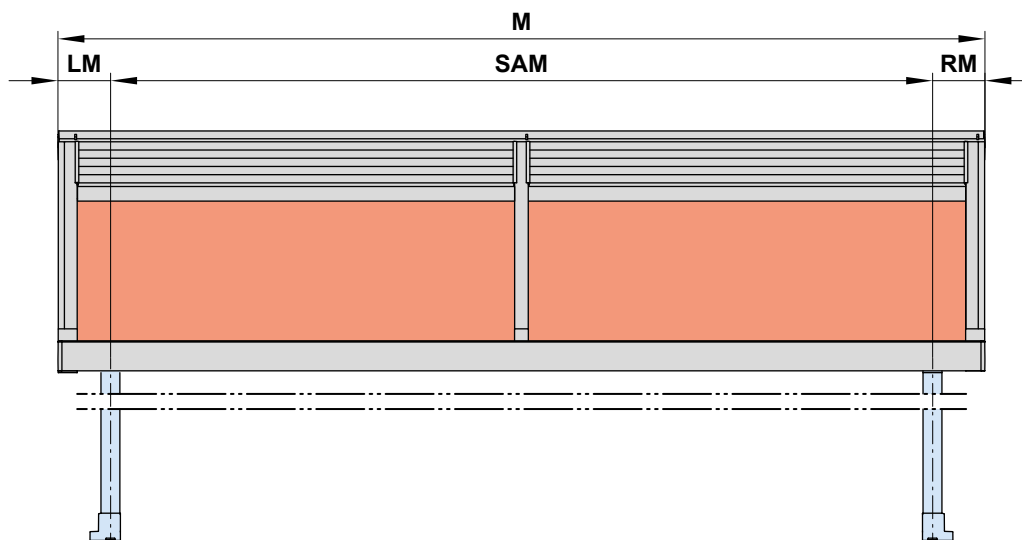
dimensions in mm

Post positions

Standard



Moved inwards



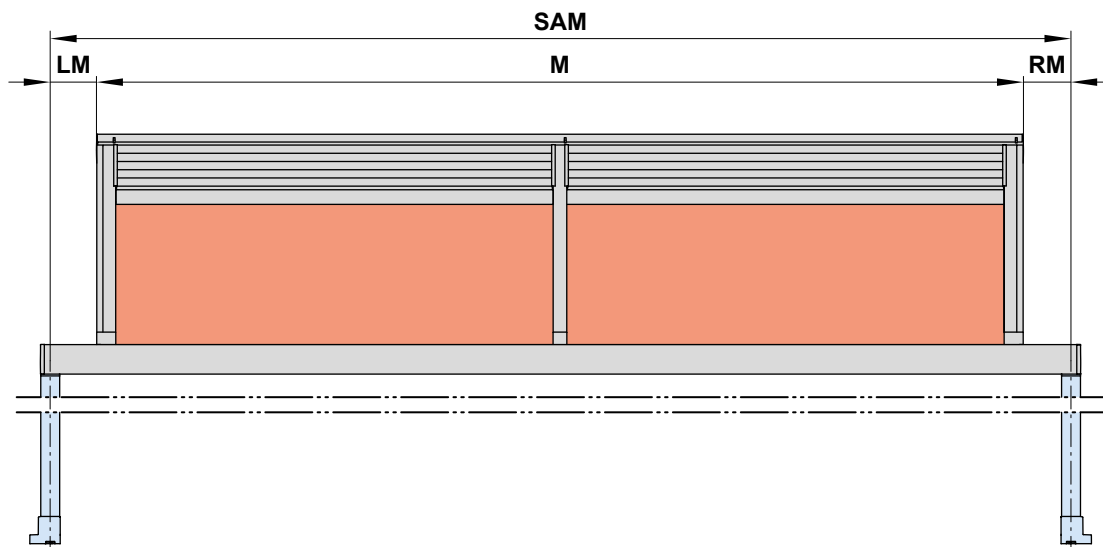
N.B. Maximum dimension LM / RM = 1000 mm

- LM** = *order dimension* = L dimension
- M** = *order width* = overall awning width
- RM** = *order dimension* = R dimension
- SAM** = post separation, centre to centre

dimensions in mm

01 Post positions

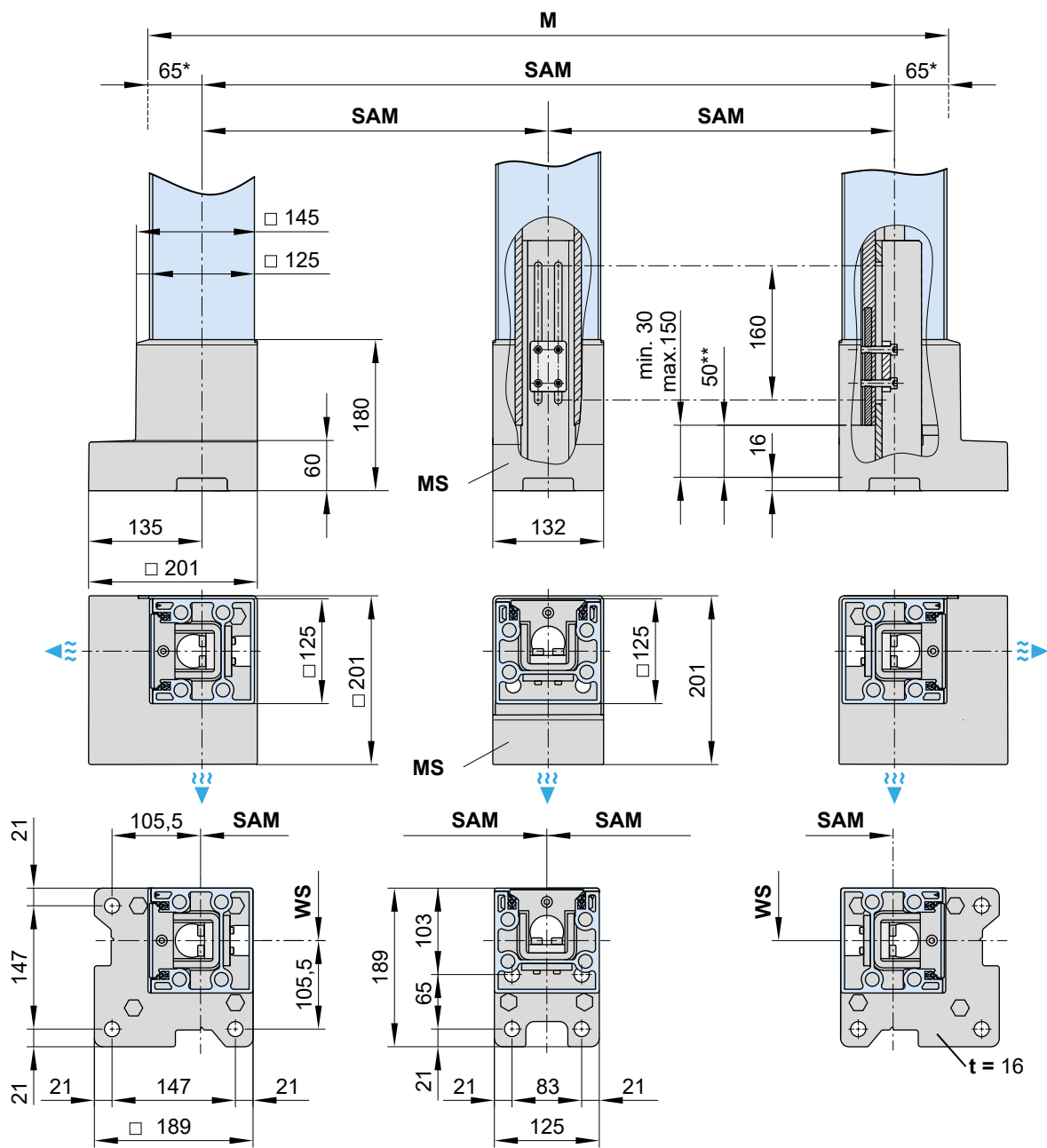
Moved outwards



N.B. Maximum LM / RM dimension = 1000 mm. Maximum gutter width = 7000 mm.

- F3** = concrete foundation – please refer to the section “Concrete foundations”
- LM** = *order dimension* = L dimension
- M** = *order width* = awning width
- RM** = *order dimension* = R dimension
- SAM** = post separation, centre to centre

Post dimensions



= water drainage

* = dimensions, posts with standard positioning

** = dimensions on delivery

M = *order width* = awning width

MS = central post in multi-fiel units

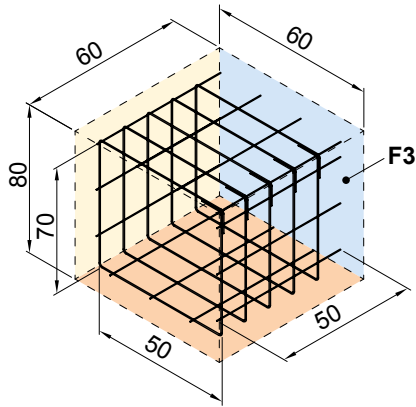
SAM = post separation, centre to centre

t = thickness of the mounting plate

WS = distance from the wall ↔ post centre

dimensions in mm

01 Concrete foundations



To be supplied on site:

Concrete foundations in compressive strength C25/30 (previously B25) with reinforcing mesh cage made of 6 pcs steel rebar Ø 6 mm.

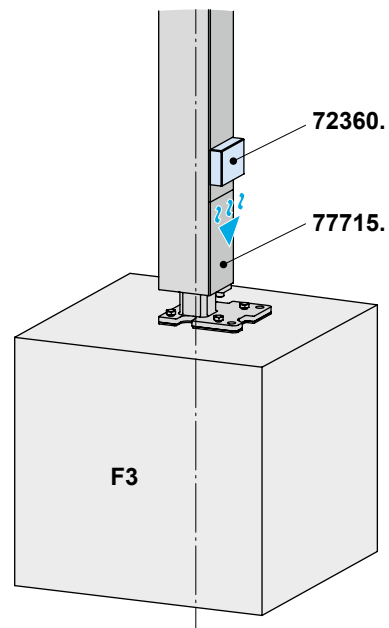
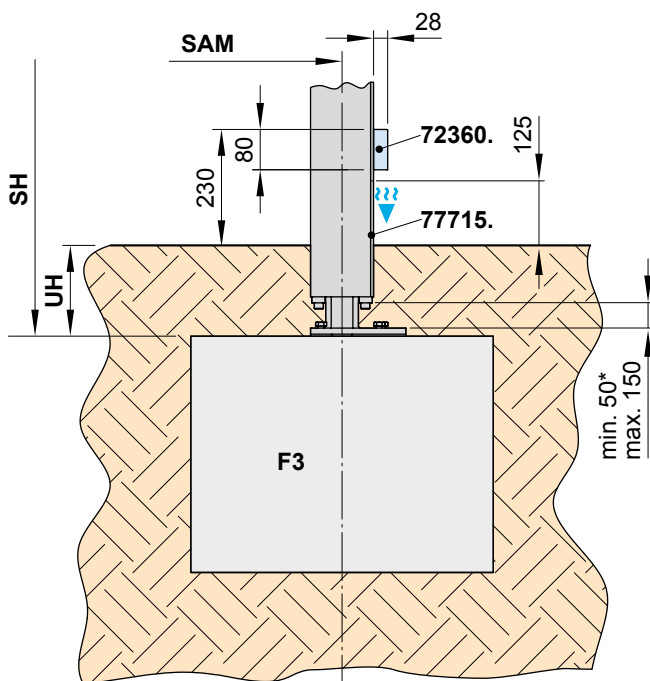
Installation on concrete foundations F3

with Fischer anchor bolts FAZ 10/30 made of A4 stainless steel with washer in accordance with DIN 9021 (or equivalent).

dimensions in cm

Overview of foundation dimensions

Foundation below ground, water drainage via the post above ground



72360. = cover for water drainage outlet to the side

77715. = post cover profile, in two pieces

= water drainage

* = dimensions on delivery

SAM = post separation, centre to centre

SH = *order dimension* = post height

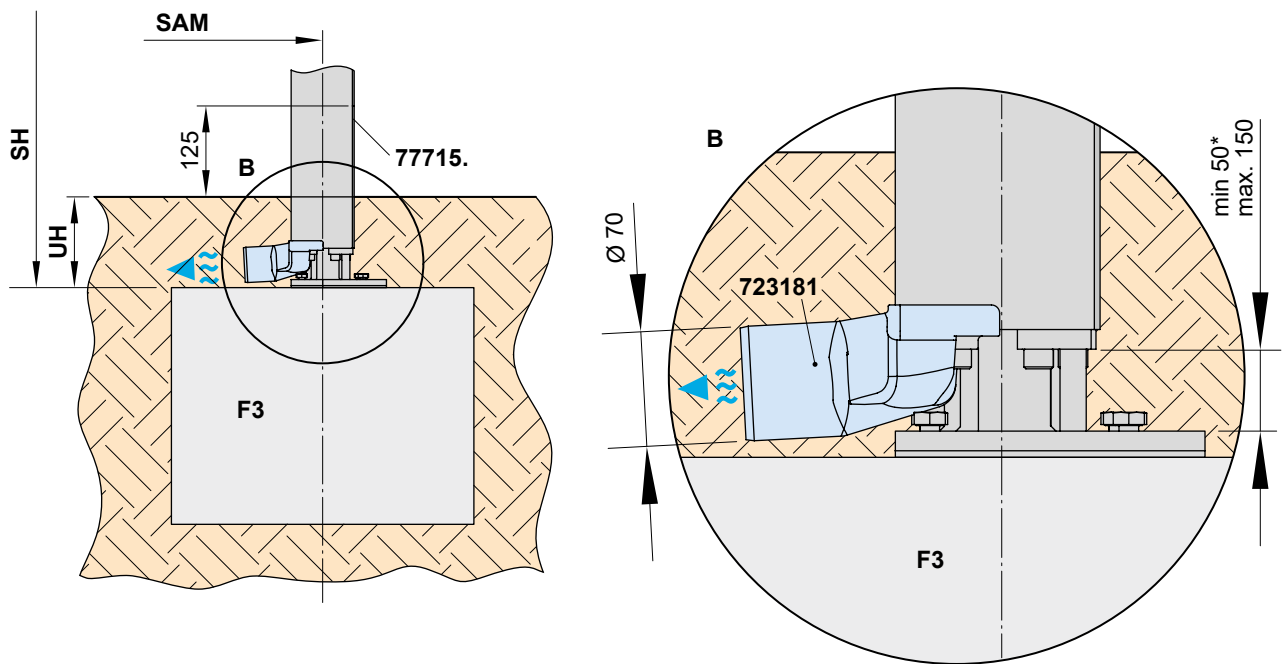
UH = datum below ground (min. 180 mm – max. 270 mm)

WS = distance from the wall ↔ post centre

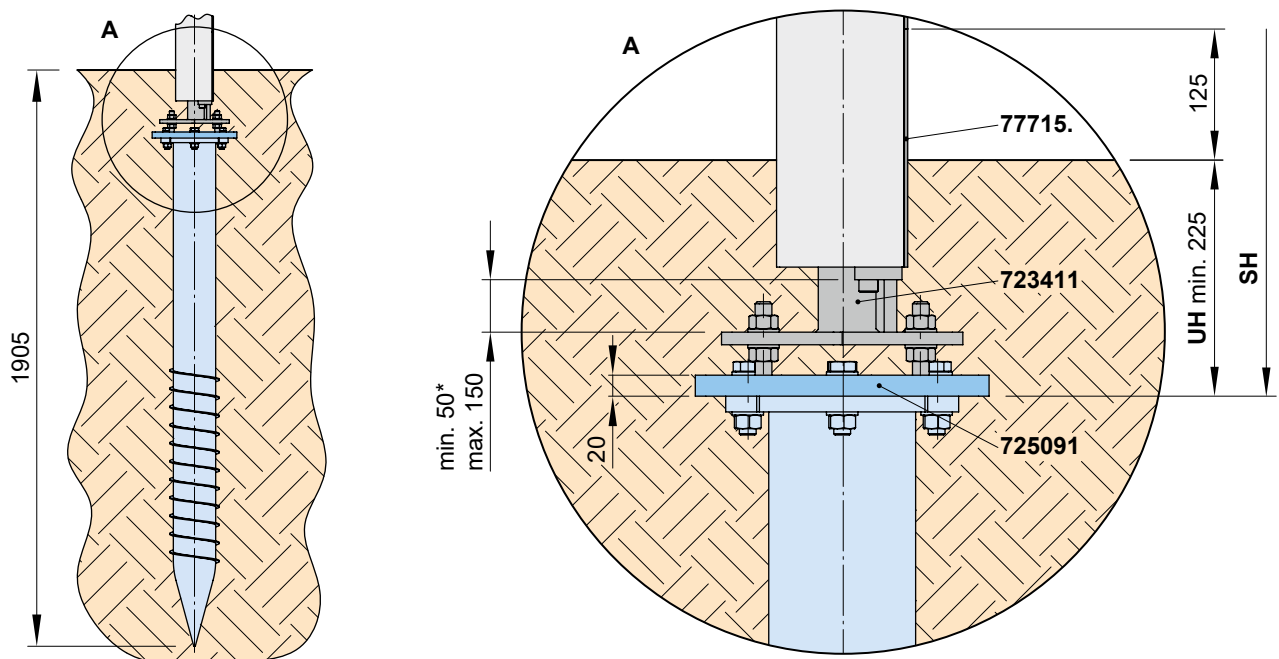
dimensions in mm

Overview of foundation dimensions

Foundation below ground level, water drainage below ground



Krinner screw-in foundations

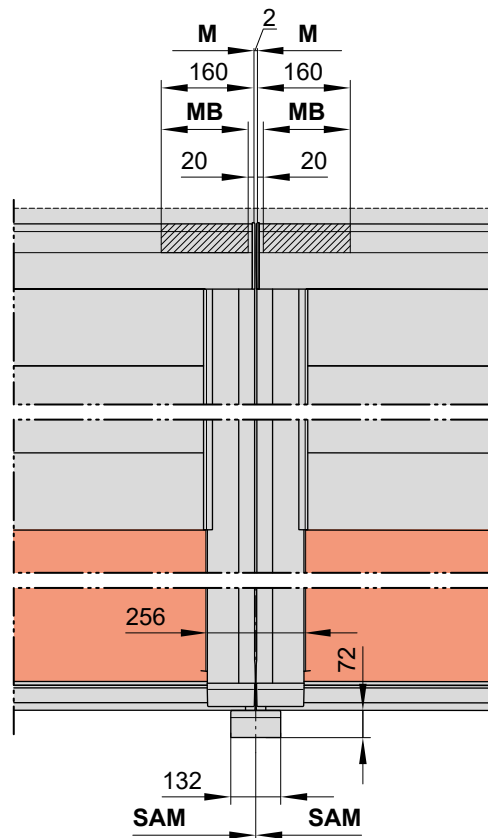


- 723181** = water drainage supports
- 723411** = foot (adjustable in height)
- 725091** = adapter plate
- 72360.** = cover for water drainage outlet to the side
- 77715.** = post cover profile, in two pieces
- = water drainage

- *** = dimensions on delivery
 - F3** = concrete foundation Please refer to the section "Concrete foundations"
 - SAM** = post separation, centre to centre
 - SH** = *order dimension* = post height
 - UH** = datum below ground (min. 180 mm – max. 270 mm)
 - WS** = distance from the wall ↔ post centre
- dimensions in mm

01 Overview of dimensions

Multi-field unit, adjoined awning – bracket range and guide track meeting point



N.B. The markilux pergola stretch is available as a multi-field unit up to a maximum of 5 fields with a total width of 25 m and 1 motor per field.

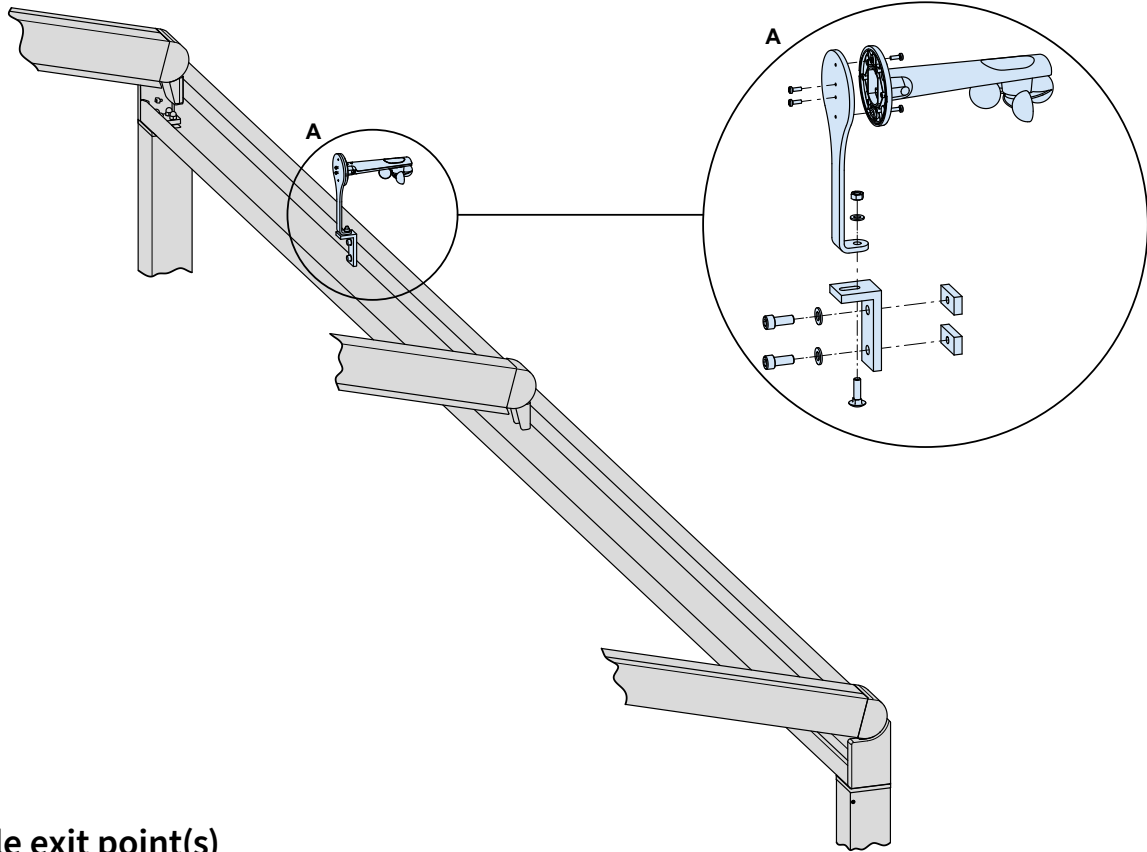
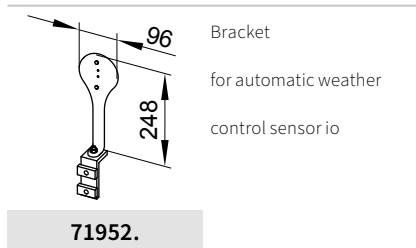
M = *order width* = overall awning width

MB = bracket fixture range

SAM = post separation, centre to centre

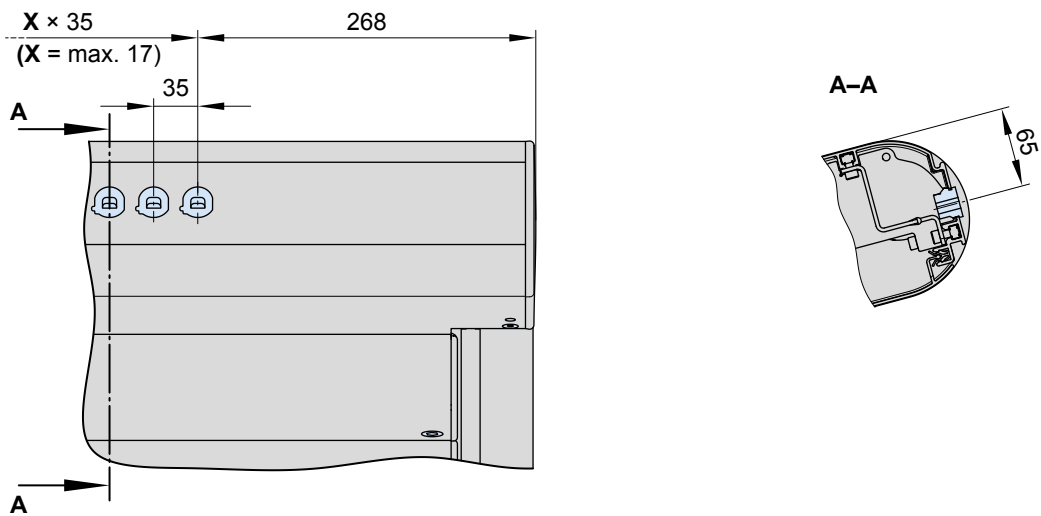
dimensions in mm

Fitting the wind sensor



Cable exit point(s)

Motor, lighting and heater(s)



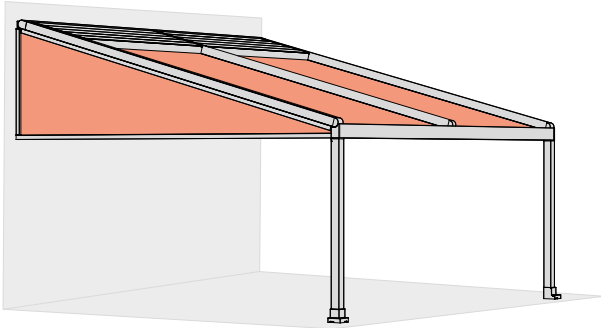
X = quantity of cable exit point separations

dimensions in mm

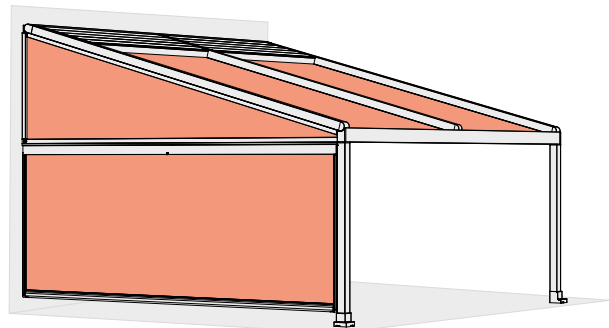
01 Combination options

Examples depicting the markilux 776 tracfix / 625 tracfix or the markilux format

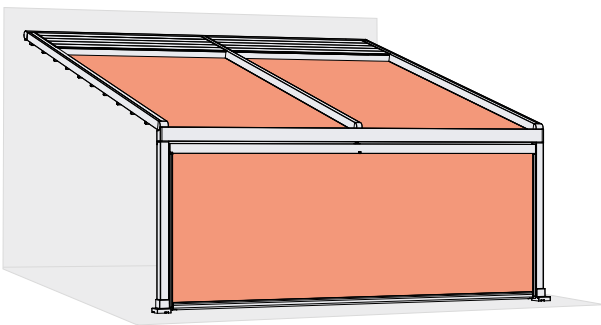
markilux format triangular screen



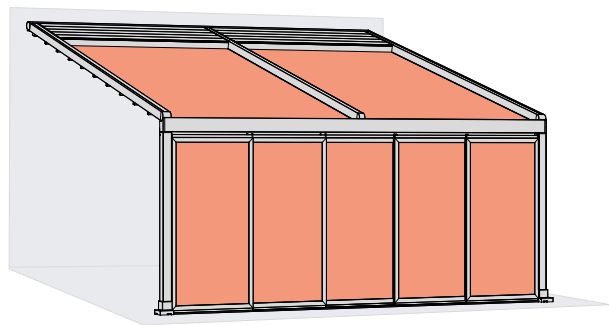
markilux 776 tracfix or markilux 625 tracfix attached to the side(s) together with markilux format triangular screen(s)



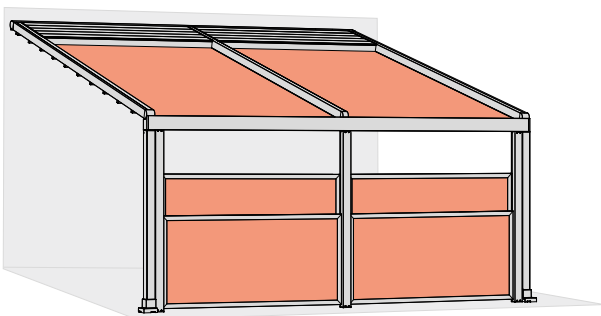
markilux 776 tracfix or markilux 625 tracfix between the posts



markilux format slide between the posts



markilux format lift between the posts



Additional combinations may be possible on request.

markilux GmbH + Co. KG

Hansestrasse 53 | 48282 Emsdetten

Telephone +49 (0) 25 72 / 15 31-0

Fax +49 (0) 25 72 / 15 31-6 82

info@markilux.com

WEEE registration no. DE 11340537

2021-02-17

We reserve the right to make technical alterations without giving prior notice. All the dimensions quoted are close approximations. Up-to-date technical information can be found in the restricted area of the website at pro.markilux.com.